

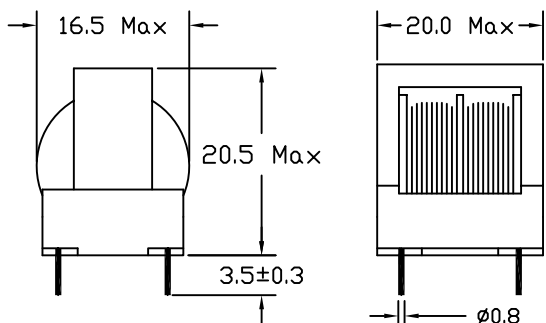
OTC-19 EMI FILTER

Optimum Toroid Chokes

A New Products
For Super Power

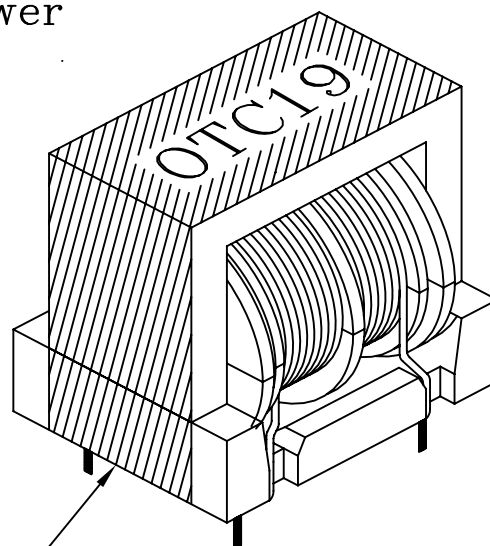
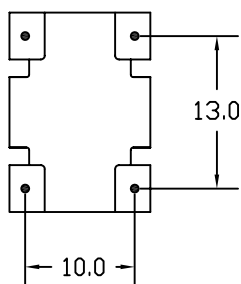
Mechanical Dimension (UNIT: mm)

2 GROOVES BOBBIN

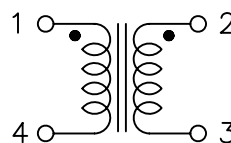


TOLERANCE

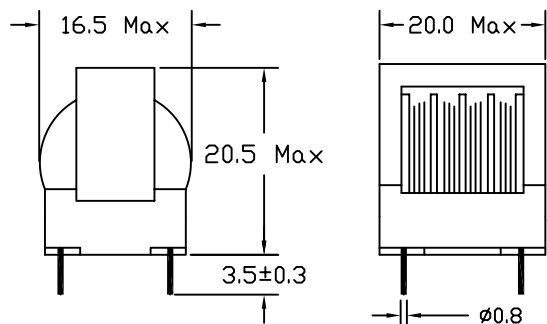
0 < L < 2	±0.2
2 < L < 12	±0.4
12 < L < 48	±0.6
Pin Pitch	±0.5
Pin Diameter	±0.2



Mylar Tape 2 Layer

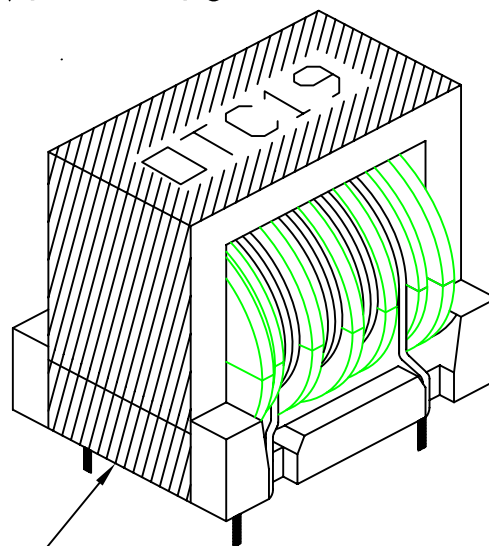
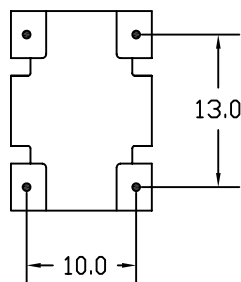


4 GROOVES BOBBIN

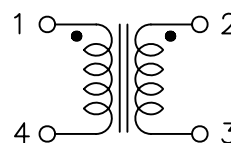


TOLERANCE

0 < L < 2	±0.2
2 < L < 12	±0.4
12 < L < 48	±0.6
Pin Pitch	±0.5
Pin Diameter	±0.2



Mylar Tape 2 Layer



PAT. US 6,121,696 / J 3060520 / ZL 98 2 47924.9 / TW164060

昱京科技股份有限公司 YU JING TECHNOLOGY CO., LTD.

Tel: 02-2672-3910

昱京國際貿易有限公司 YU JING INTERNATIONAL CO., LTD.

Fax: 02-2672-4872

OTC-19 EMI FILTER

Optimum Toroid Chokes

A New Products
For Super Power

DIELECTRIC STRENGTH

WITHSTANDING VOLTAGE: 1.5KVAC WIND TO CORE, LINE TO LINE
INSULATION RESISTANCE: 100M Ohm /DC 500V

REFERENCE RATING (2 GROOVES BOBBIN)

	INDUCTANCE (L) mH Min.	D.C.R. mOHM Max.	RATE CURRENT Amp (ac) REF.	WIRE DIA. ϕ (mm)	REMARK
VOTC1906000450A	4.5	90	2.10	0.60	
VOTC1905500800A	8.0	130	1.70	0.55	
VOTC1905001000A	10.0	170	1.40	0.50	
VOTC1904501700A	17.0	280	1.20	0.45	
VOTC1904002800A	28.0	450	0.90	0.40	

** Special or Custome-made specification is available by request.

REFERENCE RATING (4 GROOVES BOBBIN)

	INDUCTANCE (L) mH Min.	D.C.R. mOHM Max.	RATE CURRENT Amp (ac) REF.	WIRE DIA. ϕ (mm)	REMARK
VOTC1905000500A	5.0	140	1.40	0.50	
VOTC1904500900A	9.0	210	1.20	0.45	
VOTC1904001600A	16.0	370	0.90	0.40	
VOTC1903502800A	28.0	640	0.70	0.35	
VOTC1903005000A	50.0	1100	0.50	0.30	

** Special or Custome-made specification is available by request.



PAT. US 6,121,696 / J 3060520 / ZL 98 2 47924.9 / TW164060

昱京科技股份有限公司 YU JING TECHNOLOGY CO., LTD.

Tel: 02-2672-3910

昱京國際貿易有限公司 YU JING INTERNATIONAL CO., LTD.

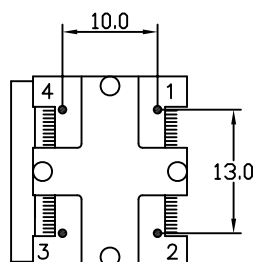
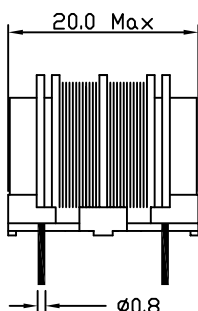
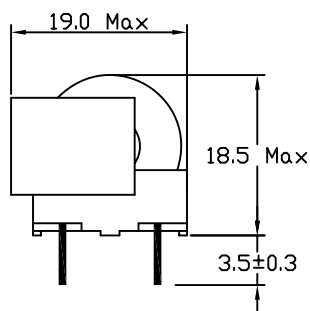
Fax: 02-2672-4872

OTC-19 EMI FILTER

Optimum Toroid Chokes

A New Products
For Super Power

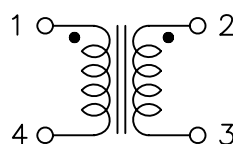
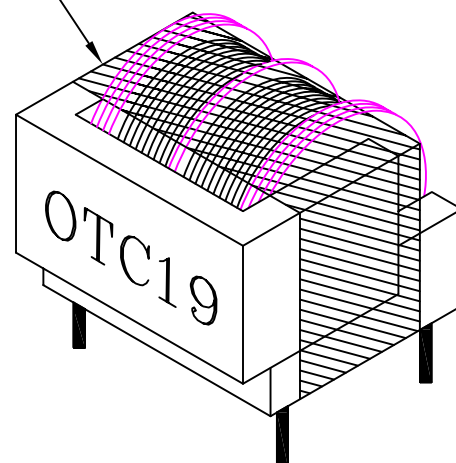
Mechanical Dimension (UNIT: mm) 2 GROOVES BOBBIN



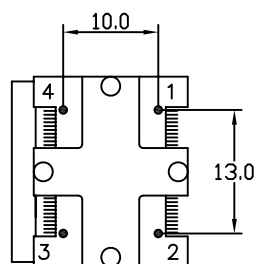
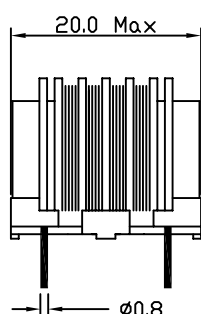
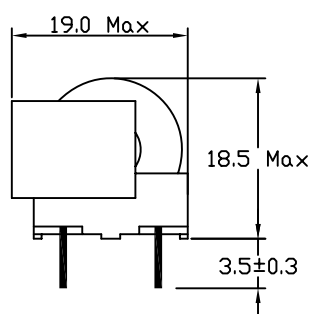
TOLERANCE

$0 < L < 2$	± 0.2
$2 < L < 12$	± 0.4
$12 < L < 48$	± 0.6
Pin Pitch	± 0.5
Pin Diameter	± 0.2

Mylar Tape 2 Layer



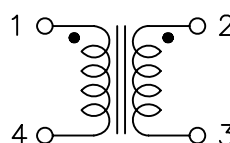
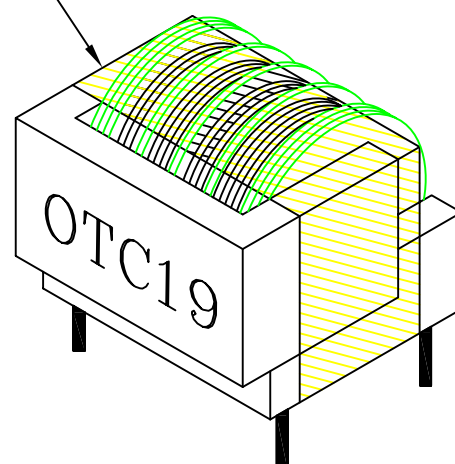
4 GROOVES BOBBIN



TOLERANCE

$0 < L < 2$	± 0.2
$2 < L < 12$	± 0.4
$12 < L < 48$	± 0.6
Pin Pitch	± 0.5
Pin Diameter	± 0.2

Mylar Tape 2 Layer



YUJING

PAT. US 6,121,696 / J 3060520 / ZL 98 2 47924.9 / TW164060

昱京科技股份有限公司 YU JING TECHNOLOGY CO., LTD.

Tel: 02-2672-3910

昱京國際貿易有限公司 YU JING INTERNATIONAL CO., LTD.

Fax: 02-2672-4872

OTC-19 EMI FILTER

Optimum Toroid Chokes

A New Products
For Super Power

DIELECTRIC STRENGTH

WITHSTANDING VOLTAGE: 1.5KVAC WIND TO CORE, LINE TO LINE

INSULATION RESISTANCE: 100M Ohm /DC 500V

REFERENCE RATING (2 GROOVES BOBBIN)

	INDUCTANCE (L) mH Min.	D.C.R. mOHM Max.	RATE CURRENT Amp (ac) REF.	WIRE DIA. ϕ (mm)	REMARK
HOTC1906000450A	4.5	90	2.10	0.60	
HOTC1905500800A	8.0	130	1.70	0.55	
HOTC1905001000A	10.0	170	1.40	0.50	
HOTC1904501700A	17.0	280	1.20	0.45	
HOTC1904002800A	28.0	450	0.90	0.40	

** Special or Custome-made specification is available by request.

REFERENCE RATING (4 GROOVES BOBBIN)

	INDUCTANCE (L) mH Min.	D.C.R. mOHM Max.	RATE CURRENT Amp (ac) REF.	WIRE DIA. ϕ (mm)	REMARK
HOTC1905000500A	5.0	140	1.40	0.50	
HOTC1904500900A	9.0	210	1.20	0.45	
HOTC1904001600A	16.0	370	0.90	0.40	
HOTC1903502800A	28.0	640	0.70	0.35	
HOTC1903005000A	50.0	1100	0.50	0.30	

** Special or Custome-made specification is available by request.



PAT. US 6,121,696 / J 3060520 / ZL 98 2 47924.9 / TW164060

昱京科技股份有限公司 YU JING TECHNOLOGY CO., LTD. Tel: 02-2672-3910

昱京國際貿易有限公司 YU JING INTERNATIONAL CO., LTD. Fax: 02-2672-4872