

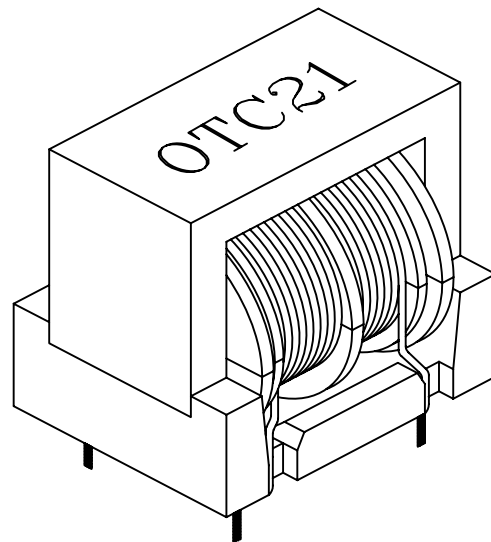
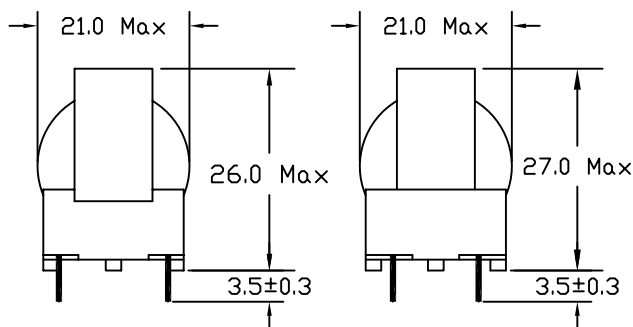
OTC-21 EMI FILTER

Optimum Toroid Chokes

A New Products
For Super Power

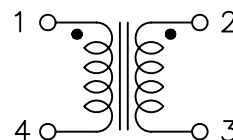
Mechanical Dimension (UNIT: mm)

2 GROOVES BOBBIN

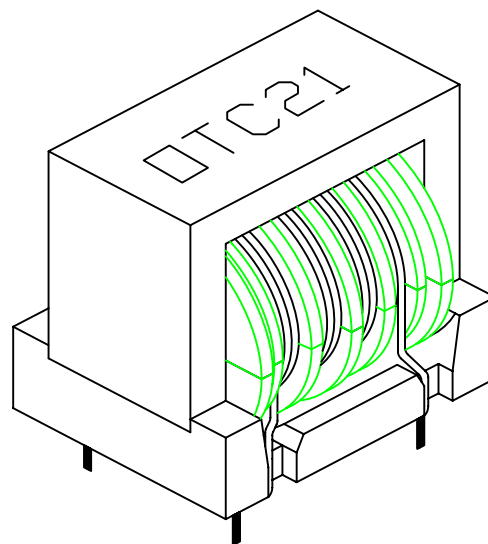
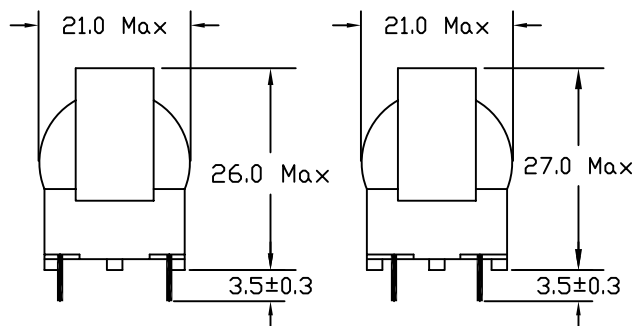


TOLERANCE

$0 < L < 2$	± 0.2
$2 < L < 12$	± 0.4
$12 < L < 48$	± 0.6
Pin Pitch	± 0.5
Pin Diameter	± 0.2

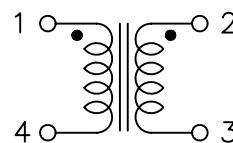


4 GROOVES BOBBIN



TOLERANCE

$0 < L < 2$	± 0.2
$2 < L < 12$	± 0.4
$12 < L < 48$	± 0.6
Pin Pitch	± 0.5
Pin Diameter	± 0.2



PAT. US 6,121,696 / J 3060520 / ZL 98 2 47924.9 / TW164060

昱京科技股份有限公司 YU JING TECHNOLOGY CO., LTD.

Tel: 02-2672-3910

昱京國際貿易有限公司 YU JING INTERNATIONAL CO., LTD.

Fax: 02-2672-4872

OTC-21 EMI FILTER

Optimum Toroid Chokes

A New Products
For Super Power

DIELECTRIC STRENGTH

TEST FREQUENCY: 20 KHz / 0.1 V

WITHSTANDING VOLTAGE: 1.5KVAC WIND TO CORE, LINE TO LINE

REFERENCE RATING (2 GROOVES BOBBIN)

	INDUCTANCE (L) mH Min.	D.C.R. mOHM Max.	RATE CURRENT Amp (ac) REF.	WIRE DIA. ϕ (mm)	REMARK
VOTC2110000150A	1.5	25	5.80	1.00	
VOTC2109000200A	2.0	30	4.70	0.90	
VOTC2108000400A	4.0	50	3.70	0.80	
VOTC2107000900A	9.0	100	2.80	0.70	
VOTC2106001400A	14.0	170	2.10	0.60	

** Special or Custom-made specification is available by request.

REFERENCE RATING (4 GROOVES BOBBIN)

	INDUCTANCE (L) mH Min.	D.C.R. mOHM Max.	RATE CURRENT Amp (ac) REF.	WIRE DIA. ϕ (mm)	REMARK
VOTC2107000400A	4.0	70	2.80	0.70	
VOTC2106500550A	5.5	90	2.40	0.65	
VOTC2106000700A	7.0	130	2.10	0.60	
VOTC2105501100A	11.0	180	1.70	0.55	
VOTC2105001500A	15.0	240	1.40	0.50	

** Special or Custom-made specification is available by request.



PAT. US 6,121,696 / J 3060520 / ZL 98 2 47924.9 / TW164060

昱京科技股份有限公司 YU JING TECHNOLOGY CO., LTD.

Tel: 02-2672-3910

昱京國際貿易有限公司 YU JING INTERNATIONAL CO., LTD.

Fax: 02-2672-4872

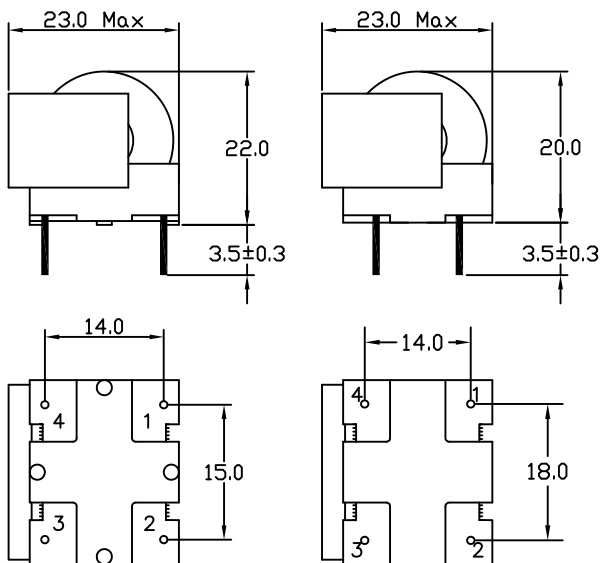
OTC-21 EMI FILTER

Optimum Toroid Chokes

A New Products
For Super Power

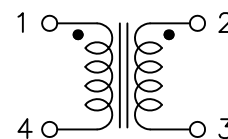
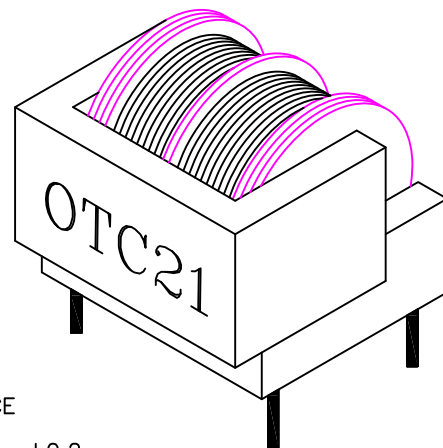
Mechanical Dimension (UNIT: mm)

2 GROOVES BOBBIN

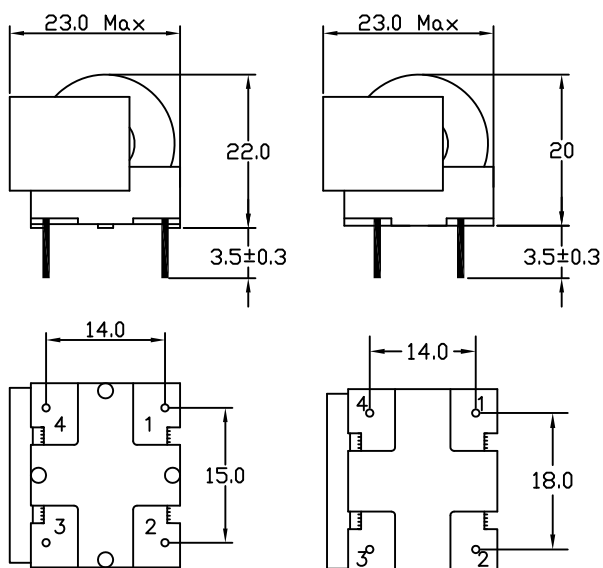


TOLERANCE

0 < L < 2	±0.2
2 < L < 12	±0.4
12 < L < 48	±0.6
Pin Pitch	±0.5
Pin Diameter	±0.2

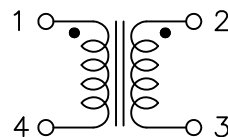
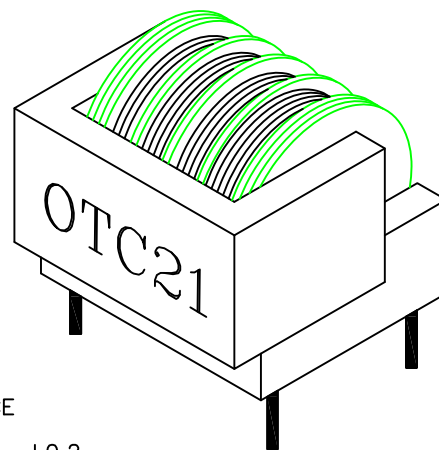


4 GROOVES BOBBIN



TOLERANCE

0 < L < 2	±0.2
2 < L < 12	±0.4
12 < L < 48	±0.6
Pin Pitch	±0.5
Pin Diameter	±0.2



PAT. US 6,121,696 / J 3060520 / ZL 98 2 47924.9 / TW164060

昱京科技股份有限公司 YU JING TECHNOLOGY CO., LTD.

Tel: 02-2672-3910

昱京國際貿易有限公司 YU JING INTERNATIONAL CO., LTD.

Fax: 02-2672-4872

OTC-21 EMI FILTER

Optimum Toroid Chokes

A New Products
For Super Power

DIELECTRIC STRENGTH

TEST FREQUENCY: 20 KHz / 0.1 V

WITHSTANDING VOLTAGE: 1.5KVAC WIND TO CORE, LINE TO LINE

REFERENCE RATING (2 GROOVES BOBBIN)

	INDUCTANCE (L) mH Min.	D.C.R. mOHM Max.	RATE CURRENT Amp (ac) REF.	WIRE DIA. ϕ (mm)	REMARK
HOTC2110000150A	1.5	25	5.80	1.00	
HOTC2109000200A	2.0	30	4.70	0.90	
HOTC2108000400A	4.0	50	3.70	0.80	
HOTC2107000900A	9.0	100	2.80	0.70	
HOTC2106001400A	14.0	170	2.10	0.60	

** Special or Custom-made specification is available by request.

REFERENCE RATING (4 GROOVES BOBBIN)

	INDUCTANCE (L) mH Min.	D.C.R. mOHM Max.	RATE CURRENT Amp (ac) REF.	WIRE DIA. ϕ (mm)	REMARK
HOTC2107000400A	4.0	70	2.80	0.70	
HOTC2106500550A	5.5	90	2.40	0.65	
HOTC2106000700A	7.0	130	2.10	0.60	
HOTC2105501100A	11.0	180	1.70	0.55	
HOTC2105001500A	15.0	240	1.40	0.50	

** Special or Custom-made specification is available by request.



PAT. US 6,121,696 / J 3060520 / ZL 98 2 47924.9 / TW164060

昱京科技股份有限公司 YU JING TECHNOLOGY CO., LTD.

Tel: 02-2672-3910

昱京國際貿易有限公司 YU JING INTERNATIONAL CO., LTD.

Fax: 02-2672-4872