

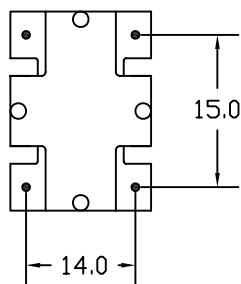
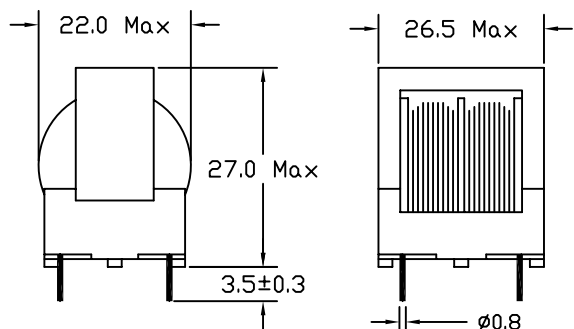
OTC-25 EMI FILTER

Optimum Toroid Chokes

A New Products
For Super Power

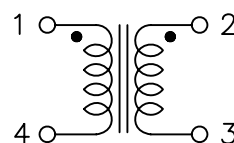
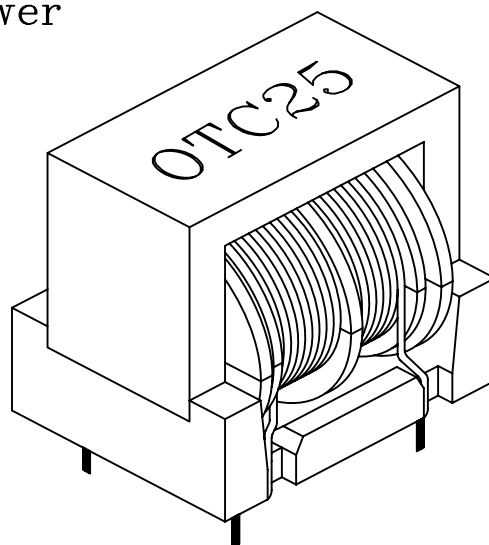
Mechanical Dimension (UNIT: mm)

2 GROOVES BOBBIN

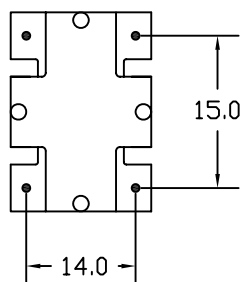
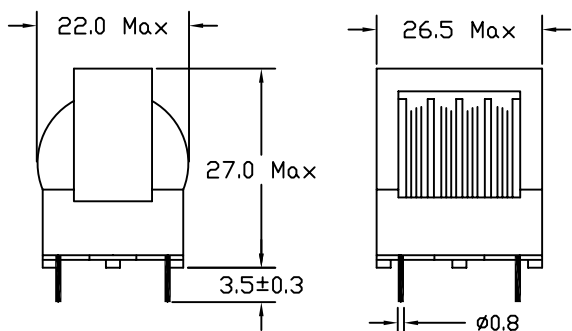


TOLERANCE .

$0 < L < 2$	± 0.2
$2 < L < 12$	± 0.4
$12 < L < 48$	± 0.6
Pin Pitch	± 0.5
Pin Diameter	± 0.2

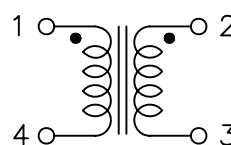
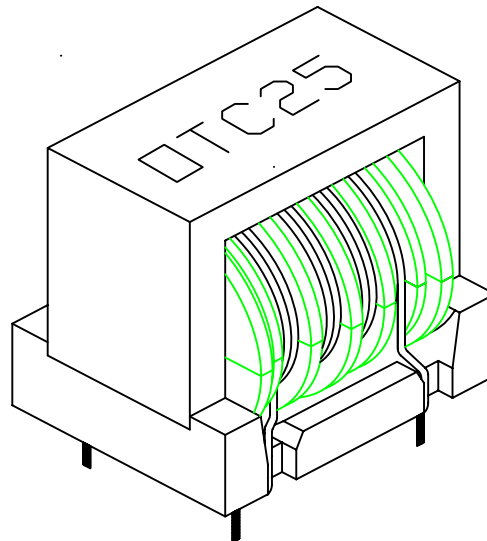


4 GROOVES BOBBIN



TOLERANCE .

$0 < L < 2$	± 0.2
$2 < L < 12$	± 0.4
$12 < L < 48$	± 0.6
Pin Pitch	± 0.5
Pin Diameter	± 0.2



YUJING

PAT. US 6,121,696 / J 3060520 / ZL 98 2 47924.9 / TW164060

昱京科技股份有限公司 YU JING TECHNOLOGY CO., LTD.

Tel: 02-2672-3910

昱京國際貿易有限公司 YU JING INTERNATIONAL CO., LTD.

Fax: 02-2672-4872

OTC-25 EMI FILTER

Optimum Toroid Chokes

A New Products
For Super Power

DIELECTRIC STRENGTH

TEST FREQUENCY: 20 KHz / 0.1 V

WITHSTANDING VOLTAGE: 1.5KVAC WIND TO CORE, LINE TO LINE

REFERENCE RATING (2 GROOVES BOBBIN)

	INDUCTANCE (L) mH Min.	D.C.R. mOHM Max.	RATE CURRENT Amp (ac) REF.	WIRE DIA. ϕ (mm)	REMARK
VOTC2510000300A	3.0	40	5.8	1.00	
VOTC2509000550A	5.5	60	4.7	0.90	
VOTC2508500650A	6.5	75	4.2	0.85	
VOTC2508000900A	9.0	100	3.7	0.80	
VOTC2507501100A	11.0	120	3.3	0.75	

** Special or Custom-made specification is available by request.

REFERENCE RATING (4 GROOVES BOBBIN)

	INDUCTANCE (L) mH Min.	D.C.R. mOHM Max.	RATE CURRENT Amp (ac) REF.	WIRE DIA. ϕ (mm)	REMARK
VOTC2508000400A	4.0	85	3.7	0.80	
VOTC2507500550A	5.5	100	3.3	0.75	
VOTC2507000700A	7.0	115	2.8	0.70	
VOTC2506501100A	11.0	140	2.4	0.65	
VOTC2506001500A	15.0	200	2.1	0.60	

** Special or Custom-made specification is available by request.



PAT. US 6,121,696 / J 3060520 / ZL 98 2 47924.9 / TW164060

昱京科技股份有限公司 YU JING TECHNOLOGY CO., LTD.

Tel: 02-2672-3910

昱京國際貿易有限公司 YU JING INTERNATIONAL CO., LTD.

Fax: 02-2672-4872

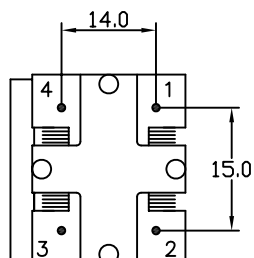
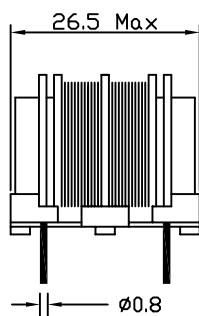
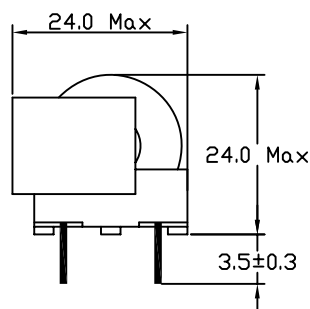
OTC-25 EMI FILTER

Optimum Toroid Chokes

A New Products
For Super Power

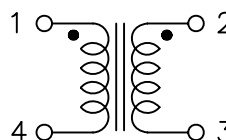
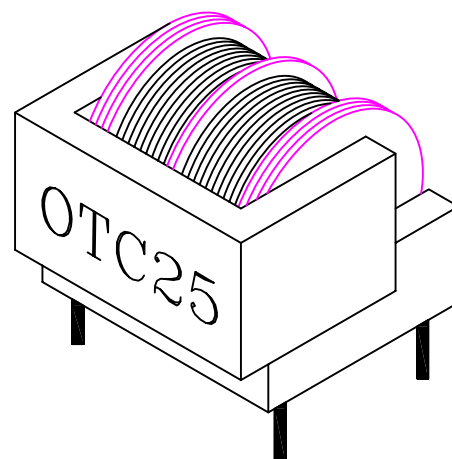
Mechanical Dimension (UNIT: mm)

2 GROOVES BOBBIN

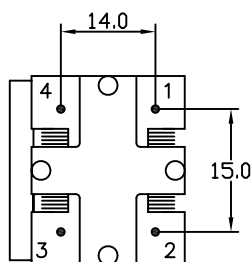
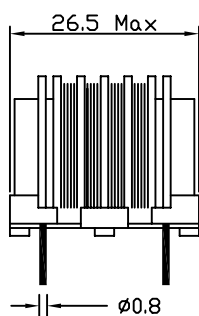
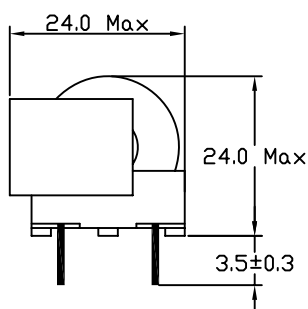


TOLERANCE .

$0 < L < 2$	± 0.2
$2 < L < 12$	± 0.4
$12 < L < 48$	± 0.6
Pin Pitch	± 0.5
Pin Diameter	± 0.2

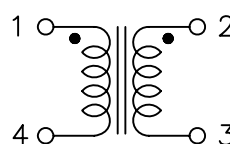
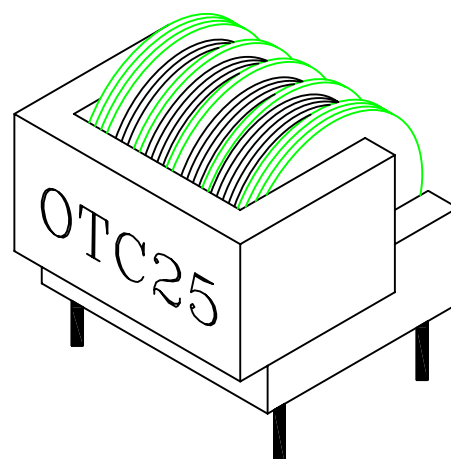


4 GROOVES BOBBIN



TOLERANCE .

$0 < L < 2$	± 0.2
$2 < L < 12$	± 0.4
$12 < L < 48$	± 0.6
Pin Pitch	± 0.5
Pin Diameter	± 0.2



YUJING

PAT. US 6,121,696 / J 3060520 / ZL 98 2 47924.9 / TW164060

昱京科技股份有限公司 YU JING TECHNOLOGY CO., LTD.

Tel: 02-2672-3910

昱京國際貿易有限公司 YU JING INTERNATIONAL CO., LTD.

Fax: 02-2672-4872

OTC-25 EMI FILTER

Optimum Toroid Chokes

A New Products
For Super Power

DIELECTRIC STRENGTH

TEST FREQUENCY: 20 KHz / 0.1 V

WITHSTANDING VOLTAGE: 1.5KVAC WIND TO CORE, LINE TO LINE

REFERENCE RATING (2 GROOVES BOBBIN)

	INDUCTANCE (L) mH Min.	D.C.R. mOHM Max.	RATE CURRENT Amp (ac) REF.	WIRE DIA. ϕ (mm)	REMARK
HOTC2510000300A	3.0	40	5.8	1.00	
HOTC2509000550A	5.5	60	4.7	0.90	
HOTC2508500650A	6.5	75	4.2	0.85	
HOTC2508000900A	9.0	100	3.7	0.80	
HOTC2507501100A	11.0	120	3.3	0.75	

** Special or Custom-made specification is available by request.

REFERENCE RATING (4 GROOVES BOBBIN)

	INDUCTANCE (L) mH Min.	D.C.R. mOHM Max.	RATE CURRENT Amp (ac) REF.	WIRE DIA. ϕ (mm)	REMARK
HOTC2508000400A	4.0	85	3.7	0.80	
HOTC2507500550A	5.5	100	3.3	0.75	
HOTC2507000700A	7.0	115	2.8	0.70	
HOTC2506501100A	11.0	140	2.4	0.65	
HOTC2506001500A	15.0	200	2.1	0.60	

** Special or Custom-made specification is available by request.



PAT. US 6,121,696 / J 3060520 / ZL 98 2 47924.9 / TW164060

昱京科技股份有限公司 YU JING TECHNOLOGY CO., LTD.

Tel: 02-2672-3910

昱京國際貿易有限公司 YU JING INTERNATIONAL CO., LTD.

Fax: 02-2672-4872