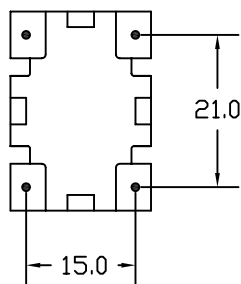
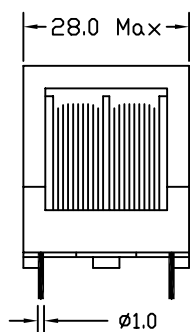
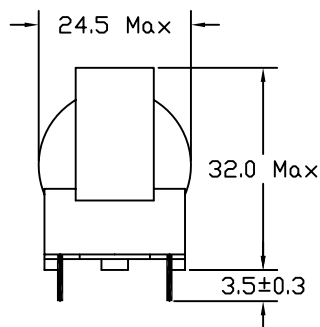


OTC-27 EMI FILTER

Optimum Toroid Chokes

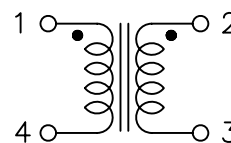
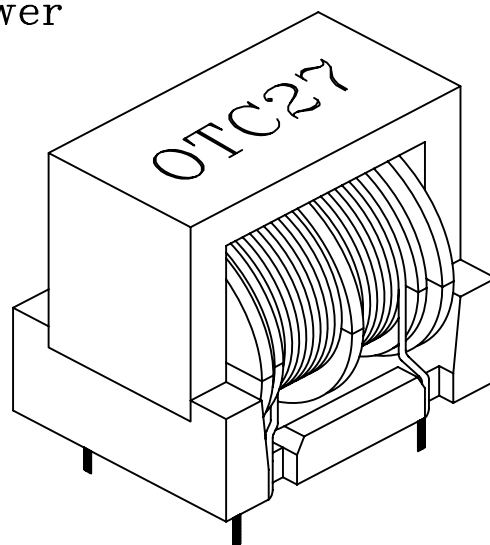
A New Products
For Super Power

Mechanical Dimension (UNIT: mm)



TOLERANCE .

$0 < L < 2$	± 0.2
$2 < L < 12$	± 0.4
$12 < L < 48$	± 0.6
Pin Pitch	± 0.5
Pin Diameter	± 0.2



YUJING

PAT. US 6,121,696 / J 3060520 / ZL 98 2 47924.9 / TW164060

昱京科技股份有限公司 YU JING TECHNOLOGY CO., LTD.

Tel: 02-2672-3910

昱京國際貿易有限公司 YU JING INTERNATIONAL CO., LTD.

Fax: 02-2672-4872

OTC-27 EMI FILTER

Optimum Toroid Chokes

A New Products
For Super Power

DIELECTRIC STRENGTH

TEST FREQUENCY: 20 KHz / 0.1 V

WITHSTANDING VOLTAGE: 1.5KVAC WIND TO CORE, LINE TO LINE

REFERENCE RATING (2 GROOVES BOBBIN)

	INDUCTANCE (L) mH Min.	D.C.R. mOHM Max.	RATE CURRENT Amp (ac) REF.	WIRE DIA. ϕ (mm)	REMARK
VOTC2711000350A	3.5	30	6.9	1.10	
VOTC2710000500A	5.0	40	5.8	1.00	
VOTC2709000900A	9.0	65	4.7	0.90	
VOTC2708001500A	15.0	110	3.7	0.80	
VOTC2707002500A	25.0	180	2.8	0.70	

** Special or Custom-made specification is available by request.



PAT. US 6,121,696 / J 3060520 / ZL 98 2 47924.9 / TW164060

昱京科技股份有限公司 YU JING TECHNOLOGY CO., LTD.

Tel: 02-2672-3910

昱京國際貿易有限公司 YU JING INTERNATIONAL CO., LTD.

Fax: 02-2672-4872