

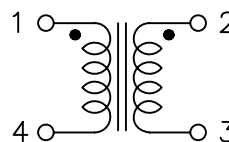
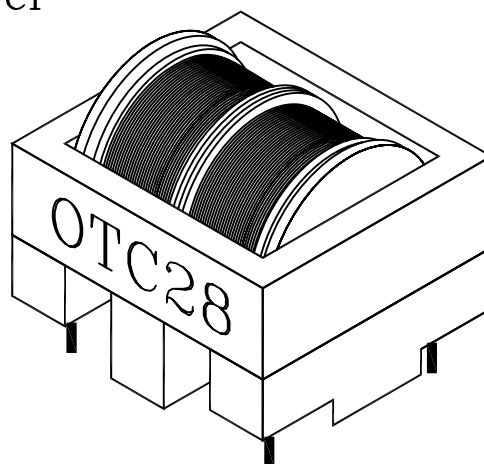
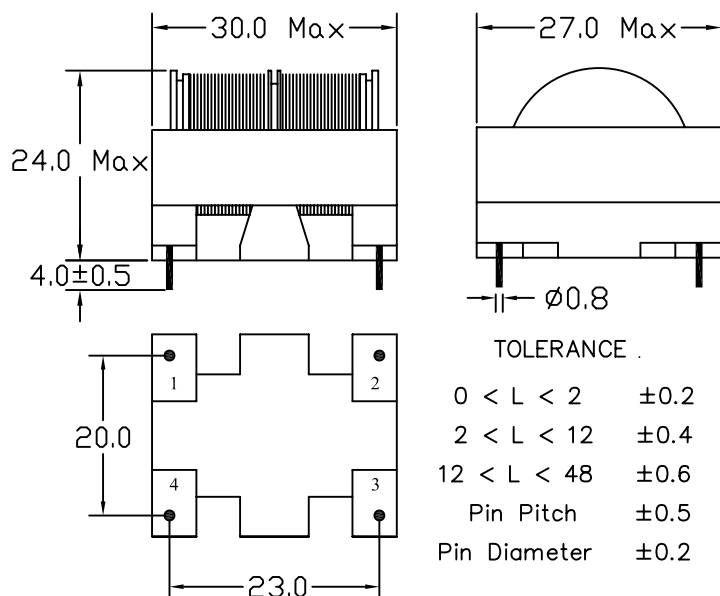
OTC-28 EMI FILTER

Optimum Toroid Chokes

A New Products
For Super Power

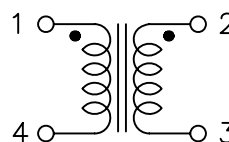
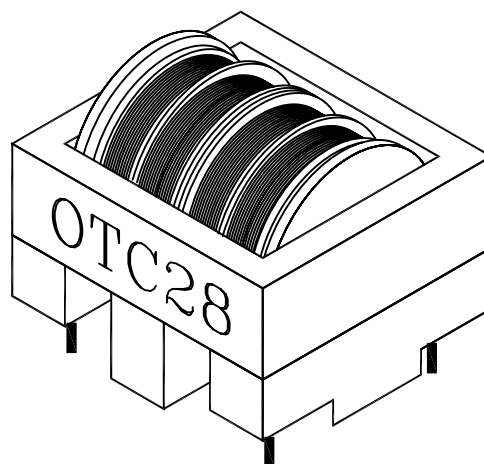
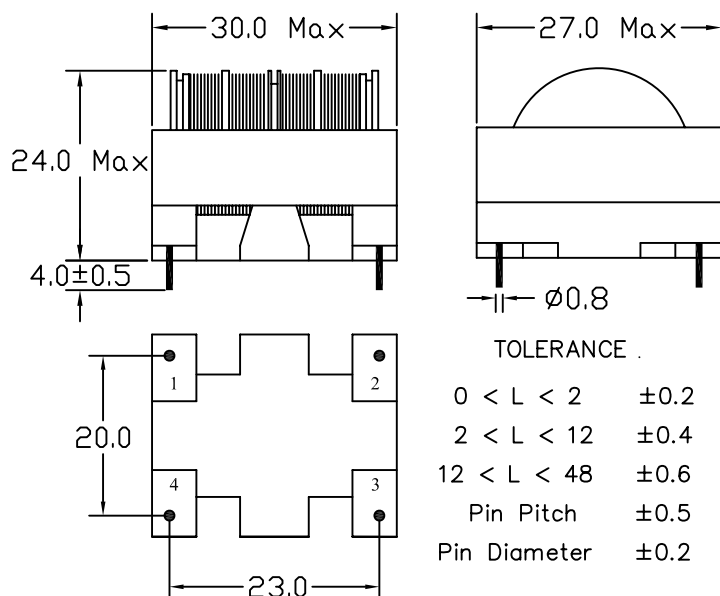
Mechanical Dimension (UNIT: mm)

2 GROOVES BOBBIN



Mechanical Dimension (UNIT: mm)

4 GROOVES BOBBIN



YUJING

PAT. US 6,121,696 / J 3060520 / ZL 98 2 47924.9 / TW164060

昱京科技股份有限公司 YU JING TECHNOLOGY CO., LTD.

Tel: 02-2672-3910

昱京國際貿易有限公司 YU JING INTERNATIONAL CO., LTD.

Fax: 02-2672-4872

OTC-28 EMI FILTER

Optimum Toroid Chokes

A New Products
For Super Power

DIELECTRIC STRENGTH

TEST FREQUENCY: 20 KHz / 0.1 V

WITHSTANDING VOLTAGE: 1.5KVAC WIND TO CORE, LINE TO LINE

REFERENCE RATING (2 GROOVES BOBBIN)

	INDUCTANCE (L) mH Min.	D.C.R. mOHM Max.	RATE CURRENT Amp (ac) REF.	WIRE DIA. ϕ (mm)	REMARK
HOTC2810000500A	5.0	40	5.8	1.00	
HOTC2809000900A	9.0	65	4.7	0.90	
HOTC2808001500A	15.0	90	3.7	0.80	
HOTC2807502000A	20.0	130	3.3	0.75	
HOTC2807002500A	25.0	160	2.8	0.70	

** Special or Custom-made specification is available by request.

REFERENCE RATING (4 GROOVES BOBBIN)

	INDUCTANCE (L) mH Min.	D.C.R. mOHM Max.	RATE CURRENT Amp (ac) REF.	WIRE DIA. ϕ (mm)	REMARK
HOTC2808500600A	6.0	55	4.2	0.85	
HOTC2808000900A	9.0	70	3.7	0.80	
HOTC2807501200A	12.0	90	3.3	0.75	
HOTC2807001500A	15.0	110	2.8	0.70	
HOTC2806501800A	18.0	160	2.4	0.65	

** Special or Custom-made specification is available by request.



PAT. US 6,121,696 / J 3060520 / ZL 98 2 47924.9 / TW164060

昱京科技股份有限公司 YU JING TECHNOLOGY CO., LTD.

Tel: 02-2672-3910

昱京國際貿易有限公司 YU JING INTERNATIONAL CO., LTD.

Fax: 02-2672-4872