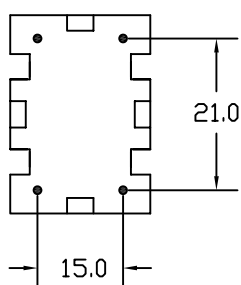
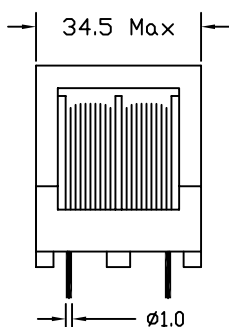
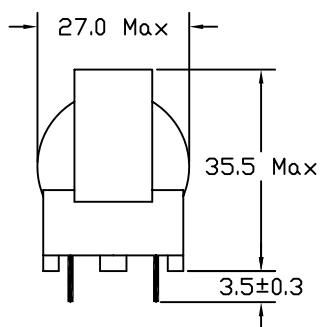


OTC-33 EMI FILTER

Optimum Toroid Chokes

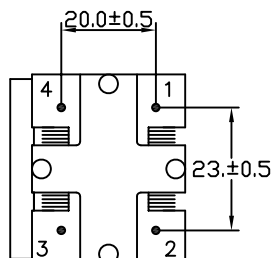
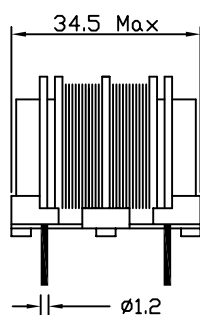
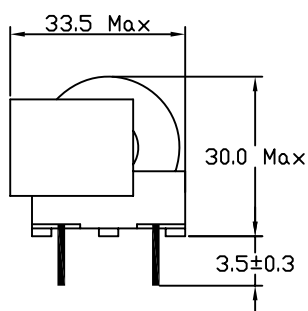
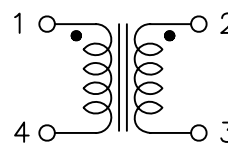
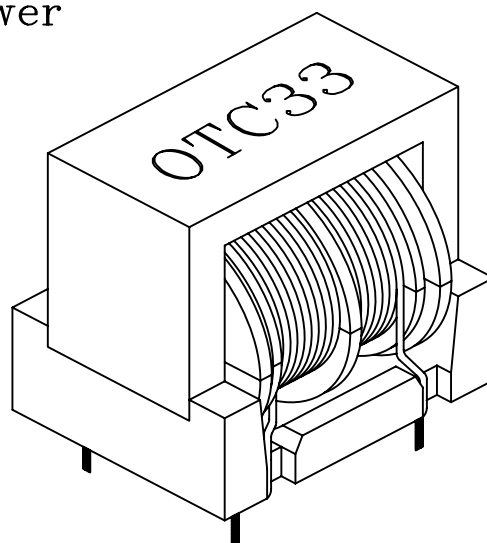
A New Products
For Super Power

Mechanical Dimension (UNIT: mm)



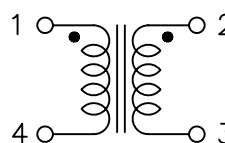
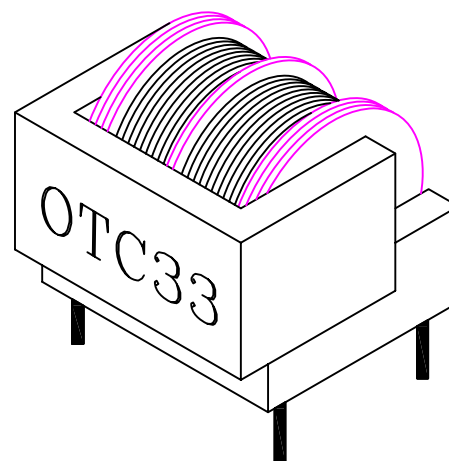
TOLERANCE .

- 0 < L < 2 ±0.2
- 2 < L < 12 ±0.4
- 12 < L < 48 ±0.6
- Pin Pitch ±0.5
- Pin Diameter ±0.2



TOLERANCE .

- 0 < L < 2 ±0.2
- 2 < L < 12 ±0.4
- 12 < L < 48 ±0.6
- Pin Pitch ±0.5
- Pin Diameter ±0.2



PAT. US 6,121,696 / J 3060520 / ZL 98 2 47924.9 / TW164060

昱京科技股份有限公司 YU JING TECHNOLOGY CO., LTD.

Tel: 02-2672-3910

昱京國際貿易有限公司 YU JING INTERNATIONAL CO., LTD.

Fax: 02-2672-4872

OTC-33 EMI FILTER

Optimum Toroid Chokes

A New Products
For Super Power

DIELECTRIC STRENGTH

TEST FREQUENCY: 20 KHz / 0.1 V

WITHSTANDING VOLTAGE: 1.5KVAC WIND TO CORE, LINE TO LINE

REFERENCE RATING (2 GROOVES BOBBIN)

	INDUCTANCE (L) mH Min.	D.C.R. mOHM Max.	RATE CURRENT Amp (ac) REF.	WIRE DIA. ϕ (mm)	REMARK
VOTC3312000700A	7.0	30	8.0	1.20	
VOTC3311001000A	10.0	40	6.9	1.10	
VOTC3310001300A	13.0	60	5.8	1.00	
VOTC3309501700A	17.0	70	5.2	0.95	
VOTC3309002500A	25.0	100	4.7	0.90	
VOTC3308004000A	40.0	150	3.7	0.80	

** Special or Custom-made specification is available by request.

REFERENCE RATING (2 GROOVES BOBBIN)

	INDUCTANCE (L) mH Min.	D.C.R. mOHM Max.	RATE CURRENT Amp (ac) REF.	WIRE DIA. ϕ (mm)	REMARK
HOTC3312000700A	7.0	30	8.0	1.20	
HOTC3311001000A	10.0	40	6.9	1.10	
HOTC3310001300A	13.0	60	5.8	1.00	
HOTC3309501700A	17.0	70	5.2	0.95	
HOTC3309002500A	25.0	100	4.7	0.90	
HOTC3308004000A	40.0	150	3.7	0.80	

** Special or Custom-made specification is available by request.



PAT. US 6,121,696 / J 3060520 / ZL 98 2 47924.9 / TW164060

昱京科技股份有限公司 YU JING TECHNOLOGY CO., LTD.

Tel: 02-2672-3910

昱京國際貿易有限公司 YU JING INTERNATIONAL CO., LTD.

Fax: 02-2672-4872