

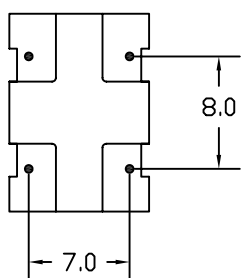
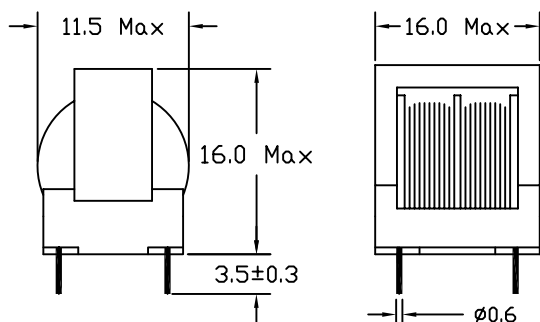
OTC-15 EMI FILTER

Optimum Toroid Chokes

A New Products
For Super Power

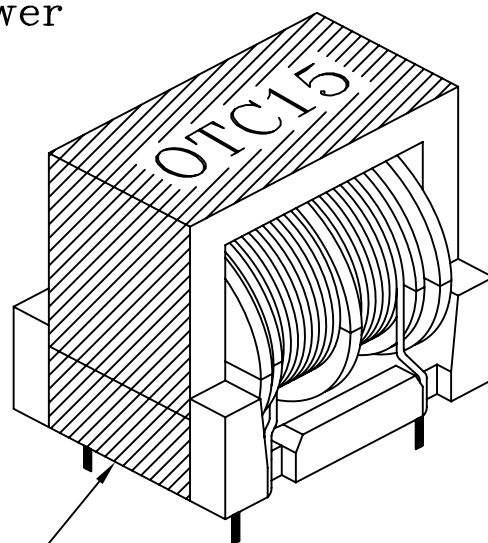
Mechanical Dimension (UNIT: mm)

2 GROOVES BOBBIN

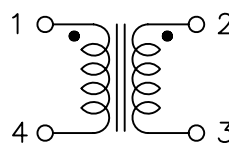


TOLERANCE

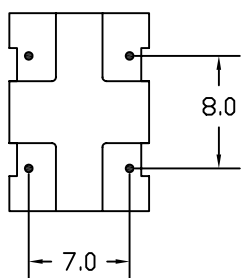
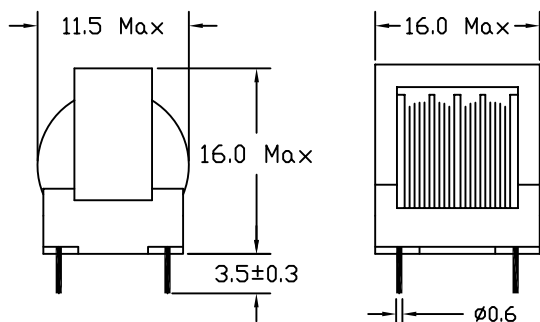
0 < L < 2	±0.2
2 < L < 12	±0.4
12 < L < 48	±0.6
Pin Pitch	±0.5
Pin Diameter	±0.2



Mylar Tape 2 Layer

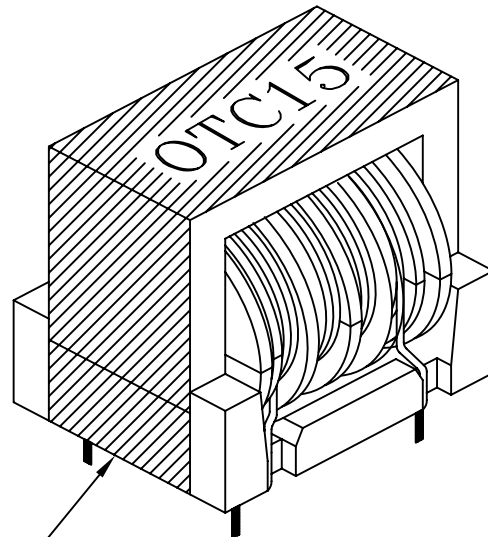


4 GROOVES BOBBIN

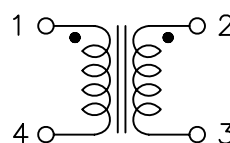


TOLERANCE

0 < L < 2	±0.2
2 < L < 12	±0.4
12 < L < 48	±0.6
Pin Pitch	±0.5
Pin Diameter	±0.2



Mylar Tape 2 Layer



PAT. US 6,121,696 / J 3060520 / ZL 98 2 47924.9 / TW164060

昱京科技股份有限公司 YU JING TECHNOLOGY CO., LTD.

Tel: 02-2672-3910

昱京國際貿易有限公司 YU JING INTERNATIONAL CO., LTD.

Fax: 02-2672-4872

OTC-15 EMI FILTER

Optimum Toroid Chokes

A New Products
For Super Power

DIELECTRIC STRENGTH

TEST FREQUENCY: 20 KHz / 0.1 V

WITHSTANDING VOLTAGE: 1.5KVAC WIND TO CORE, LINE TO LINE

REFERENCE RATING (2 GROOVES BOBBIN)

	INDUCTANCE (L) mH Min.	D.C.R. mOHM Max.	RATE CURRENT Amp (ac) REF.	WIRE DIA. ϕ (mm)	REMARK
VOTC1504000450A	4.5	130	0.90	0.40	
VOTC1503700700A	7.0	200	0.80	0.37	
VOTC1503500900A	9.0	250	0.70	0.35	
VOTC1503201100A	11.0	350	0.60	0.32	
VOTC1503001400A	14.0	430	0.50	0.30	
VOTC1502801800A	18.0	540	0.45	0.28	
VOTC1502503000A	30.0	900	0.36	0.25	

** Special or Custom-made specification is available by request.

REFERENCE RATING (4 GROOVES BOBBIN)

	INDUCTANCE (L) mH Min.	D.C.R. mOHM Max.	RATE CURRENT Amp (ac) REF.	WIRE DIA. ϕ (mm)	REMARK
VOTC1503000700A	7.0	350	0.50	0.30	
VOTC1502800900A	9.0	450	0.45	0.28	
VOTC1502501200A	12.0	600	0.36	0.25	
VOTC1502302400A	24.0	900	0.30	0.23	
VOTC1502004000A	40.0	1500	0.23	0.20	
VOTC1501806000A	60.0	2500	0.15	0.18	

** Special or Custom-made specification is available by request.



PAT. US 6,121,696 / J 3060520 / ZL 98 2 47924.9 / TW164060

昱京科技股份有限公司 YU JING TECHNOLOGY CO., LTD.

Tel: 02-2672-3910

昱京國際貿易有限公司 YU JING INTERNATIONAL CO., LTD.

Fax: 02-2672-4872

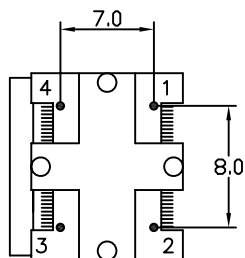
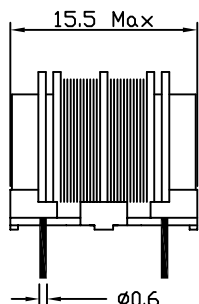
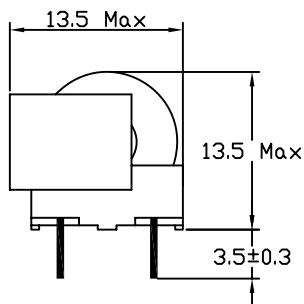
OTC-15 EMI FILTER

Optimum Toroid Chokes

A New Products
For Super Power

Mechanical Dimension (UNIT: mm)

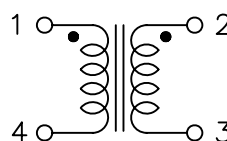
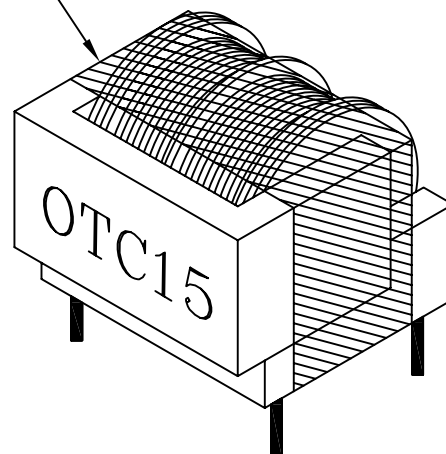
2 GROOVES BOBBIN



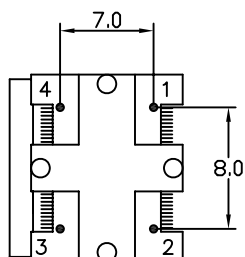
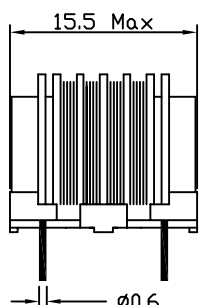
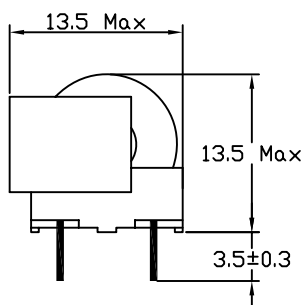
TOLERANCE

$0 < L < 2$	± 0.2
$2 < L < 12$	± 0.4
$12 < L < 48$	± 0.6
Pin Pitch	± 0.5
Pin Diameter	± 0.2

Mylar Tape 2 Layer



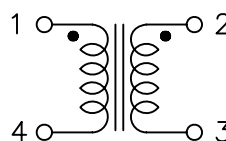
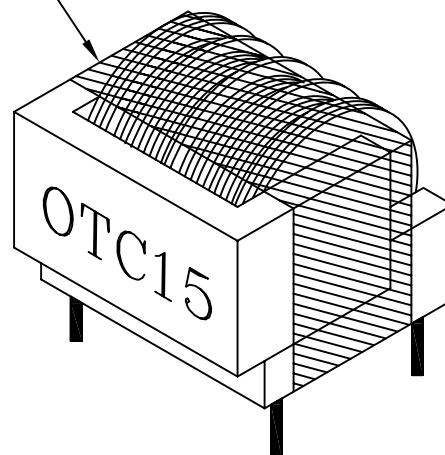
4 GROOVES BOBBIN



TOLERANCE

$0 < L < 2$	± 0.2
$2 < L < 12$	± 0.4
$12 < L < 48$	± 0.6
Pin Pitch	± 0.5
Pin Diameter	± 0.2

Mylar Tape 2 Layer



PAT. US 6,121,696 / J 3060520 / ZL 98 2 47924.9 / TW164060

昱京科技股份有限公司 YU JING TECHNOLOGY CO., LTD.

Tel: 02-2672-3910

昱京國際貿易有限公司 YU JING INTERNATIONAL CO., LTD.

Fax: 02-2672-4872

OTC-15 EMI FILTER

Optimum Toroid Chokes

A New Products
For Super Power

DIELECTRIC STRENGTH

TEST FREQUENCY: 20 KHz / 0.1 V

WITHSTANDING VOLTAGE: 1.5KVAC WIND TO CORE, LINE TO LINE

REFERENCE RATING (2 GROOVES BOBBIN)

	INDUCTANCE (L) mH Min.	D.C.R. mOHM Max.	RATE CURRENT Amp (ac) REF.	WIRE DIA. ϕ (mm)	REMARK
HOTC1504000450A	4.5	130	0.90	0.40	
HOTC1503700700A	7.0	200	0.80	0.37	
HOTC1503500900A	9.0	250	0.70	0.35	
HOTC1503201100A	11.0	350	0.60	0.32	
HOTC1503001400A	14.0	430	0.50	0.30	
HOTC1502801800A	18.0	540	0.45	0.28	
HOTC1502503000A	30.0	900	0.36	0.25	

** Special or Custom-made specification is available by request.

REFERENCE RATING (4 GROOVES BOBBIN)

	INDUCTANCE (L) mH Min.	D.C.R. mOHM Max.	RATE CURRENT Amp (ac) REF.	WIRE DIA. ϕ (mm)	REMARK
HOTC1503000700A	7.0	350	0.50	0.30	
HOTC1502800900A	9.0	450	0.45	0.28	
HOTC1502501200A	12.0	600	0.36	0.25	
HOTC1502302400A	24.0	900	0.30	0.23	
HOTC1502004000A	40.0	1500	0.23	0.20	
HOTC1501806000A	60.0	2500	0.15	0.18	

** Special or Custom-made specification is available by request.



PAT. US 6,121,696 / J 3060520 / ZL 98 2 47924.9 / TW164060

昱京科技股份有限公司 YU JING TECHNOLOGY CO., LTD.

Tel: 02-2672-3910

昱京國際貿易有限公司 YU JING INTERNATIONAL CO., LTD.

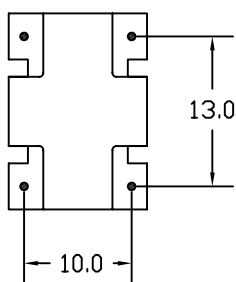
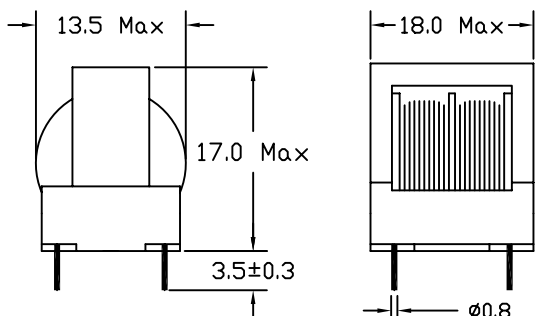
Fax: 02-2672-4872

OTC-17 EMI FILTER

Optimum Toroid Chokes

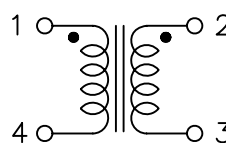
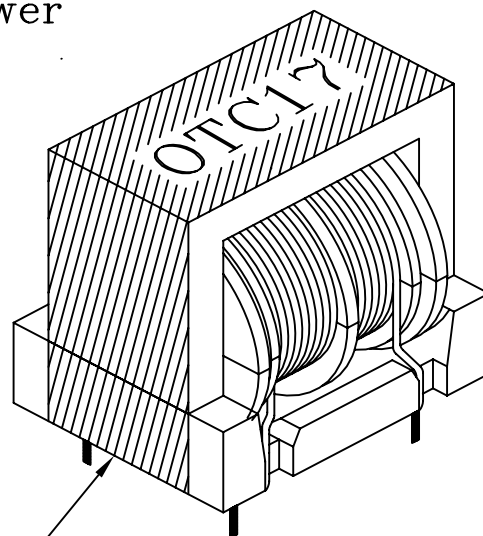
A New Products
For Super Power

Mechanical Dimension (UNIT: mm) 2 GROOVES BOBBIN

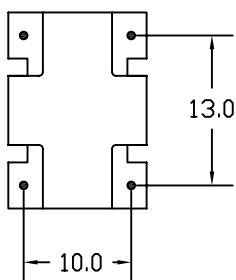
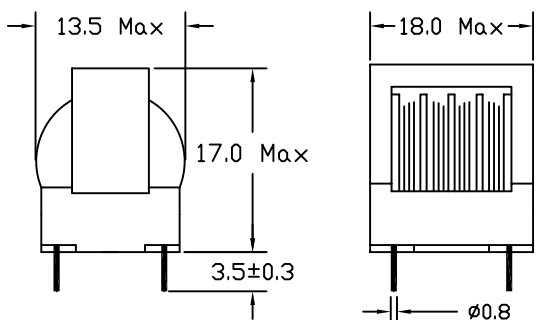


TOLERANCE

0 < L < 2	±0.2
2 < L < 12	±0.4
12 < L < 48	±0.6
Pin Pitch	±0.5
Pin Diameter	±0.2

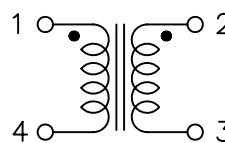
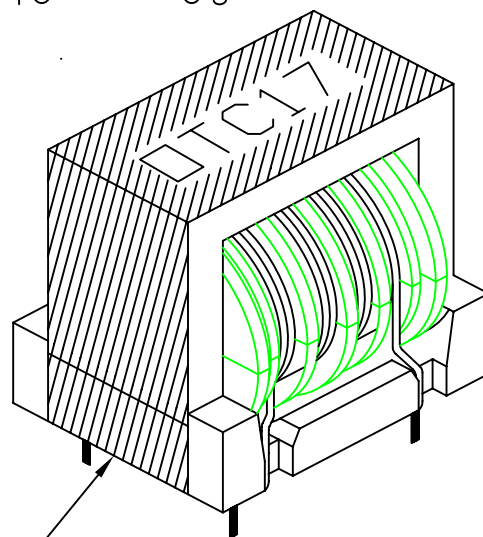


4 GROOVES BOBBIN



TOLERANCE

0 < L < 2	±0.2
2 < L < 12	±0.4
12 < L < 48	±0.6
Pin Pitch	±0.5
Pin Diameter	±0.2



PAT. US 6,121,696 / J 3060520 / ZL 98 2 47924.9 / TW164060

昱京科技股份有限公司 YU JING TECHNOLOGY CO., LTD.

Tel: 02-2672-3910

昱京國際貿易有限公司 YU JING INTERNATIONAL CO., LTD.

Fax: 02-2672-4872

OTC-17 EMI FILTER

Optimum Toroid Chokes

A New Products
For Super Power

DIELECTRIC STRENGTH

WITHSTANDING VOLTAGE: 1.5KVAC WIND TO CORE, LINE TO LINE
INSULATION RESISTANCE: 100M Ohm /DC 500V

REFERENCE RATING (2 GROOVES BOBBIN)

	INDUCTANCE (L) mH Min.	D.C.R. mOHM Max.	RATE CURRENT Amp (ac) REF.	WIRE DIA. ϕ (mm)	REMARK
VOTC1704000600A	6.0	180	0.90	0.40	
VOTC1703701000A	10.0	250	0.80	0.37	
VOTC1703501300A	13.0	350	0.70	0.35	
VOTC1703201800A	18.0	480	0.60	0.32	
VOTC1703002500A	25.0	650	0.50	0.30	
VOTC1702803200A	32.0	850	0.45	0.28	
VOTC1702504000A	40.0	1300	0.36	0.25	

** Special or Custom-made specification is available by request.

REFERENCE RATING (4 GROOVES BOBBIN)

	INDUCTANCE (L) mH Min.	D.C.R. mOHM Max.	RATE CURRENT Amp (ac) REF.	WIRE DIA. ϕ (mm)	REMARK
VOTC1703200800A	8.0	360	0.60	0.32	
VOTC1703001100A	11.0	450	0.50	0.30	
VOTC1702801500A	15.0	600	0.45	0.28	
VOTC1702502500A	25.0	950	0.36	0.25	
VOTC1702303500A	35.0	1400	0.30	0.23	
VOTC1702005000A	50.0	2300	0.23	0.20	

** Special or Custom-made specification is available by request.



PAT. US 6,121,696 / J 3060520 / ZL 98 2 47924.9 / TW164060

昱京科技股份有限公司 YU JING TECHNOLOGY CO., LTD. Tel: 02-2672-3910

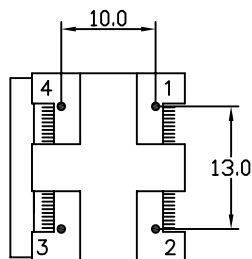
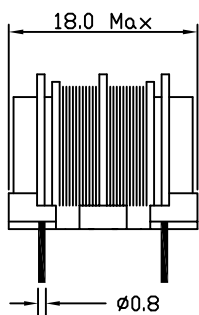
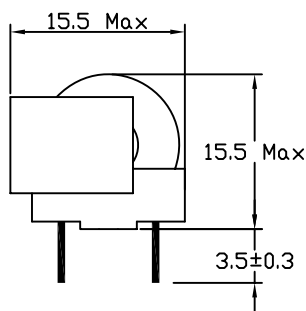
昱京國際貿易有限公司 YU JING INTERNATIONAL CO., LTD. Fax: 02-2672-4872

OTC-17 EMI FILTER

Optimum Toroid Chokes

A New Products
For Super Power

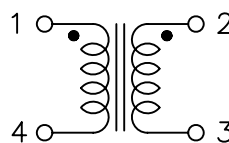
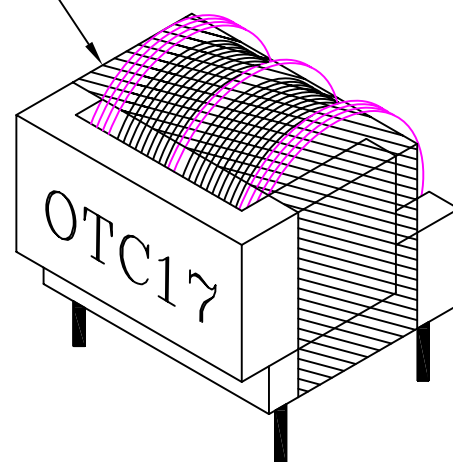
Mechanical Dimension (UNIT: mm) 2 GROOVES BOBBIN



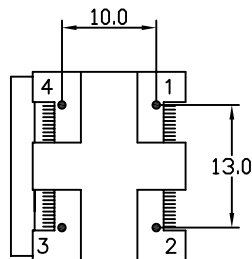
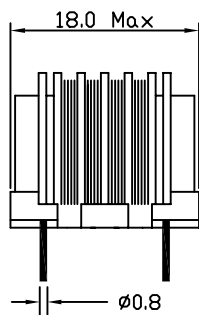
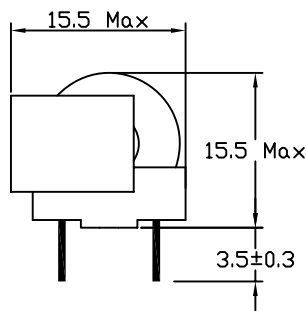
TOLERANCE

$0 < L < 2$	± 0.2
$2 < L < 12$	± 0.4
$12 < L < 48$	± 0.6
Pin Pitch	± 0.5
Pin Diameter	± 0.2

Mylar Tape 2 Layer



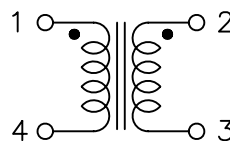
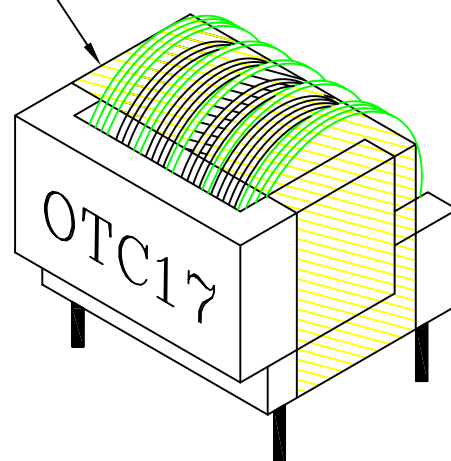
4 GROOVES BOBBIN



TOLERANCE

$0 < L < 2$	± 0.2
$2 < L < 12$	± 0.4
$12 < L < 48$	± 0.6
Pin Pitch	± 0.5
Pin Diameter	± 0.2

Mylar Tape 2 Layer



PAT. US 6,121,696 / J 3060520 / ZL 98 2 47924.9 / TW164060

昱京科技股份有限公司 YU JING TECHNOLOGY CO., LTD.

Tel: 02-2672-3910

昱京國際貿易有限公司 YU JING INTERNATIONAL CO., LTD.

Fax: 02-2672-4872

OTC-17 EMI FILTER

Optimum Toroid Chokes

A New Products
For Super Power

DIELECTRIC STRENGTH

WITHSTANDING VOLTAGE: 1.5KVAC WIND TO CORE, LINE TO LINE

INSULATION RESISTANCE: 100M Ohm /DC 500V

REFERENCE RATING (2 GROOVES BOBBIN)

	INDUCTANCE (L) mH Min.	D.C.R. mOHM Max.	RATE CURRENT Amp (ac) REF.	WIRE DIA. ϕ (mm)	REMARK
HOTC1704000600A	6.0	180	0.90	0.40	
HOTC1703701000A	10.0	250	0.80	0.37	
HOTC1703501300A	13.0	350	0.70	0.35	
HOTC1703201800A	18.0	480	0.60	0.32	
HOTC1703002500A	25.0	650	0.50	0.30	
HOTC1702803200A	32.0	850	0.45	0.28	
HOTC1702504000A	40.0	1300	0.36	0.25	

** Special or Custom-made specification is available by request.

REFERENCE RATING (4 GROOVES BOBBIN)

	INDUCTANCE (L) mH Min.	D.C.R. mOHM Max.	RATE CURRENT Amp (ac) REF.	WIRE DIA. ϕ (mm)	REMARK
HOTC1703200800A	8.0	360	0.60	0.32	
HOTC1703001100A	11.0	450	0.50	0.30	
HOTC1702801500A	15.0	600	0.45	0.28	
HOTC1702502500A	25.0	950	0.36	0.25	
HOTC1702303500A	35.0	1400	0.30	0.23	
HOTC1702005000A	50.0	2300	0.23	0.20	

** Special or Custom-made specification is available by request.



PAT. US 6,121,696 / J 3060520 / ZL 98 2 47924.9 / TW164060

昱京科技股份有限公司 YU JING TECHNOLOGY CO., LTD.

Tel: 02-2672-3910

昱京國際貿易有限公司 YU JING INTERNATIONAL CO., LTD.

Fax: 02-2672-4872

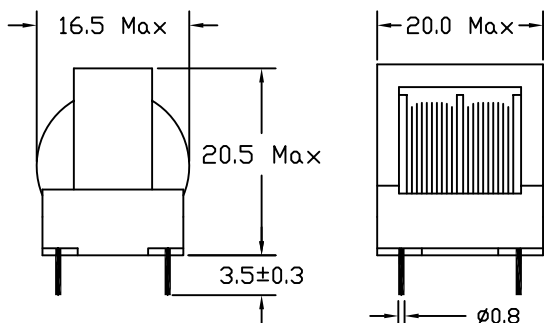
OTC-19 EMI FILTER

Optimum Toroid Chokes

A New Products
For Super Power

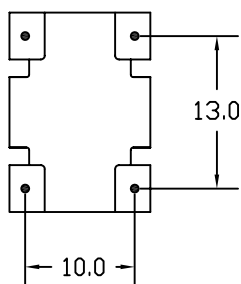
Mechanical Dimension (UNIT: mm)

2 GROOVES BOBBIN

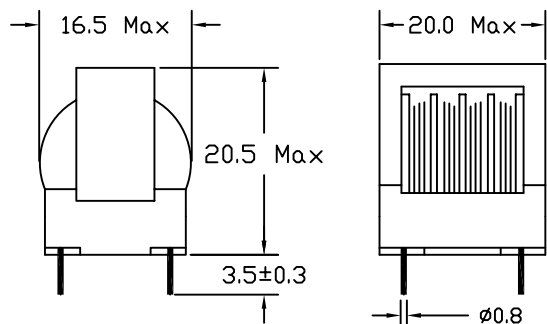


TOLERANCE

0 < L < 2	±0.2
2 < L < 12	±0.4
12 < L < 48	±0.6
Pin Pitch	±0.5
Pin Diameter	±0.2

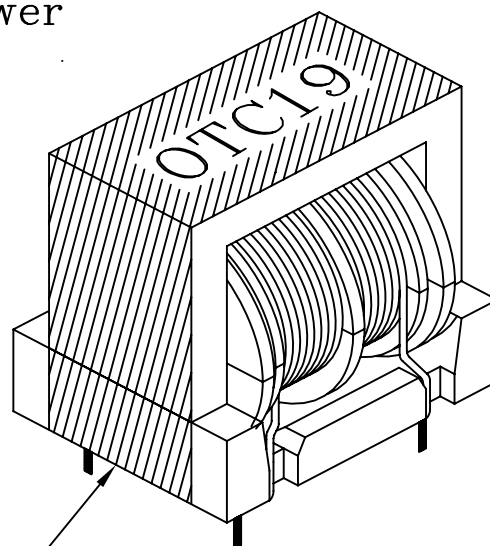
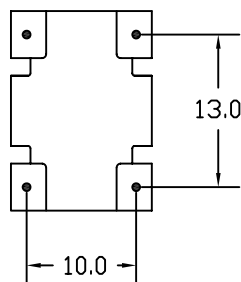


4 GROOVES BOBBIN

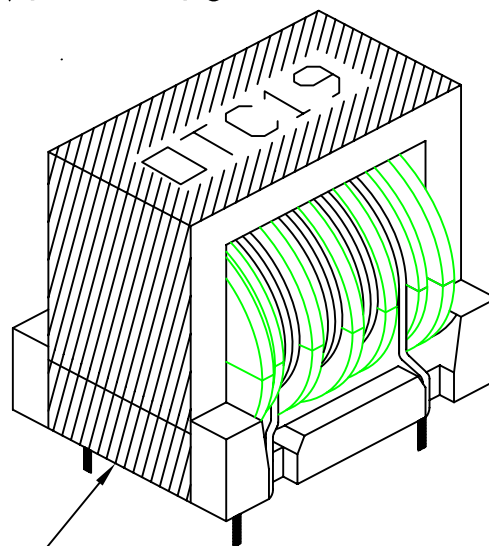
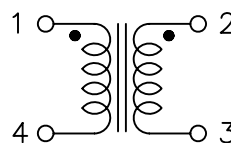


TOLERANCE

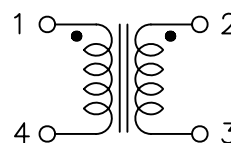
0 < L < 2	±0.2
2 < L < 12	±0.4
12 < L < 48	±0.6
Pin Pitch	±0.5
Pin Diameter	±0.2



Mylar Tape 2 Layer



Mylar Tape 2 Layer



PAT. US 6,121,696 / J 3060520 / ZL 98 2 47924.9 / TW164060

昱京科技股份有限公司 YU JING TECHNOLOGY CO., LTD.

Tel: 02-2672-3910

昱京國際貿易有限公司 YU JING INTERNATIONAL CO., LTD.

Fax: 02-2672-4872

OTC-19 EMI FILTER

Optimum Toroid Chokes

A New Products
For Super Power

DIELECTRIC STRENGTH

WITHSTANDING VOLTAGE: 1.5KVAC WIND TO CORE, LINE TO LINE
INSULATION RESISTANCE: 100M Ohm /DC 500V

REFERENCE RATING (2 GROOVES BOBBIN)

	INDUCTANCE (L) mH Min.	D.C.R. mOHM Max.	RATE CURRENT Amp (ac) REF.	WIRE DIA. ϕ (mm)	REMARK
VOTC1906000450A	4.5	90	2.10	0.60	
VOTC1905500800A	8.0	130	1.70	0.55	
VOTC1905001000A	10.0	170	1.40	0.50	
VOTC1904501700A	17.0	280	1.20	0.45	
VOTC1904002800A	28.0	450	0.90	0.40	

** Special or Custome-made specification is available by request.

REFERENCE RATING (4 GROOVES BOBBIN)

	INDUCTANCE (L) mH Min.	D.C.R. mOHM Max.	RATE CURRENT Amp (ac) REF.	WIRE DIA. ϕ (mm)	REMARK
VOTC1905000500A	5.0	140	1.40	0.50	
VOTC1904500900A	9.0	210	1.20	0.45	
VOTC1904001600A	16.0	370	0.90	0.40	
VOTC1903502800A	28.0	640	0.70	0.35	
VOTC1903005000A	50.0	1100	0.50	0.30	

** Special or Custome-made specification is available by request.



PAT. US 6,121,696 / J 3060520 / ZL 98 2 47924.9 / TW164060

昱京科技股份有限公司 YU JING TECHNOLOGY CO., LTD.

Tel: 02-2672-3910

昱京國際貿易有限公司 YU JING INTERNATIONAL CO., LTD.

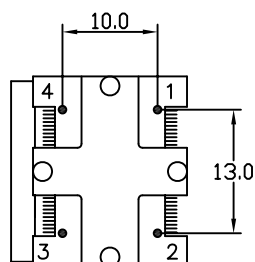
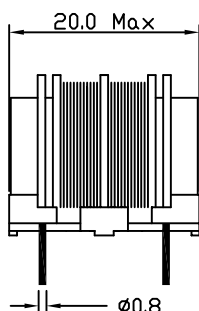
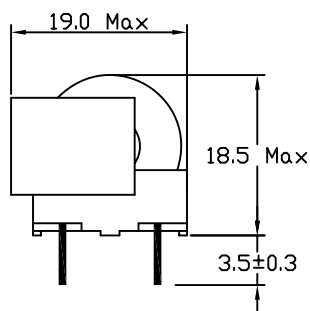
Fax: 02-2672-4872

OTC-19 EMI FILTER

Optimum Toroid Chokes

A New Products
For Super Power

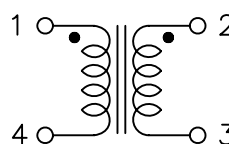
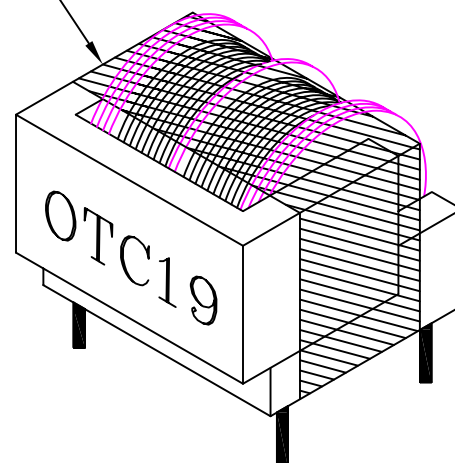
Mechanical Dimension (UNIT: mm) 2 GROOVES BOBBIN



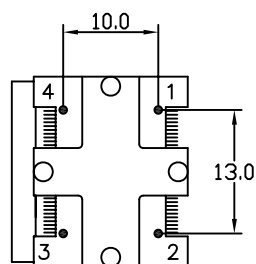
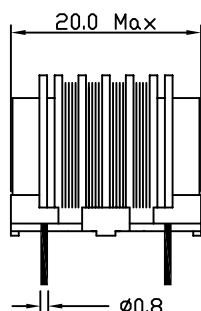
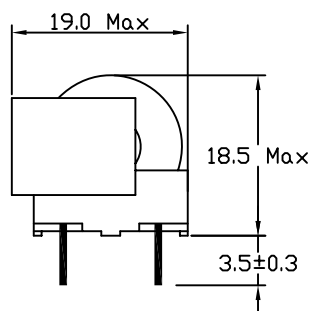
TOLERANCE

$0 < L < 2$	± 0.2
$2 < L < 12$	± 0.4
$12 < L < 48$	± 0.6
Pin Pitch	± 0.5
Pin Diameter	± 0.2

Mylar Tape 2 Layer



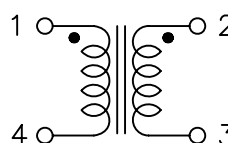
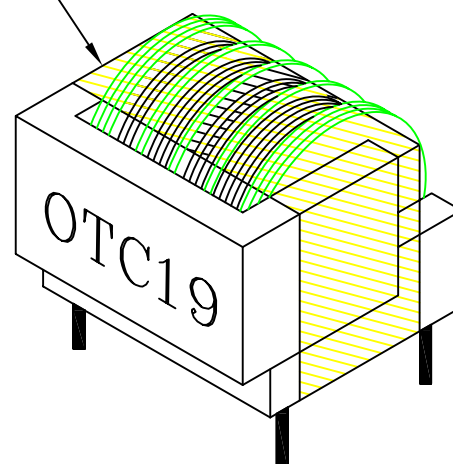
4 GROOVES BOBBIN



TOLERANCE

$0 < L < 2$	± 0.2
$2 < L < 12$	± 0.4
$12 < L < 48$	± 0.6
Pin Pitch	± 0.5
Pin Diameter	± 0.2

Mylar Tape 2 Layer



YUJING

PAT. US 6,121,696 / J 3060520 / ZL 98 2 47924.9 / TW164060

昱京科技股份有限公司 YU JING TECHNOLOGY CO., LTD.

Tel: 02-2672-3910

昱京國際貿易有限公司 YU JING INTERNATIONAL CO., LTD.

Fax: 02-2672-4872

OTC-19 EMI FILTER

Optimum Toroid Chokes

A New Products
For Super Power

DIELECTRIC STRENGTH

WITHSTANDING VOLTAGE: 1.5KVAC WIND TO CORE, LINE TO LINE
INSULATION RESISTANCE: 100M Ohm /DC 500V

REFERENCE RATING (2 GROOVES BOBBIN)

	INDUCTANCE (L) mH Min.	D.C.R. mOHM Max.	RATE CURRENT Amp (ac) REF.	WIRE DIA. ϕ (mm)	REMARK
HOTC1906000450A	4.5	90	2.10	0.60	
HOTC1905500800A	8.0	130	1.70	0.55	
HOTC1905001000A	10.0	170	1.40	0.50	
HOTC1904501700A	17.0	280	1.20	0.45	
HOTC1904002800A	28.0	450	0.90	0.40	

** Special or Custome-made specification is available by request.

REFERENCE RATING (4 GROOVES BOBBIN)

	INDUCTANCE (L) mH Min.	D.C.R. mOHM Max.	RATE CURRENT Amp (ac) REF.	WIRE DIA. ϕ (mm)	REMARK
HOTC1905000500A	5.0	140	1.40	0.50	
HOTC1904500900A	9.0	210	1.20	0.45	
HOTC1904001600A	16.0	370	0.90	0.40	
HOTC1903502800A	28.0	640	0.70	0.35	
HOTC1903005000A	50.0	1100	0.50	0.30	

** Special or Custome-made specification is available by request.



PAT. US 6,121,696 / J 3060520 / ZL 98 2 47924.9 / TW164060

昱京科技股份有限公司 YU JING TECHNOLOGY CO., LTD. Tel: 02-2672-3910

昱京國際貿易有限公司 YU JING INTERNATIONAL CO., LTD. Fax: 02-2672-4872

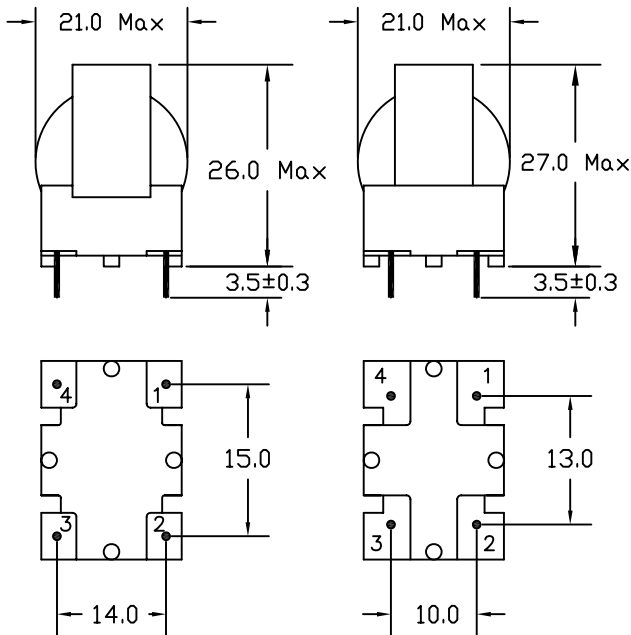
OTC-21 EMI FILTER

Optimum Toroid Chokes

A New Products
For Super Power

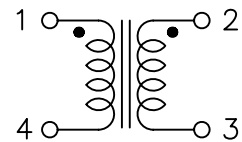
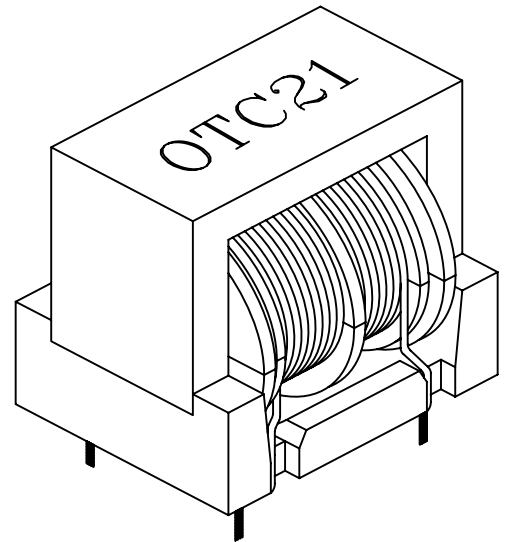
Mechanical Dimension (UNIT: mm)

2 GROOVES BOBBIN

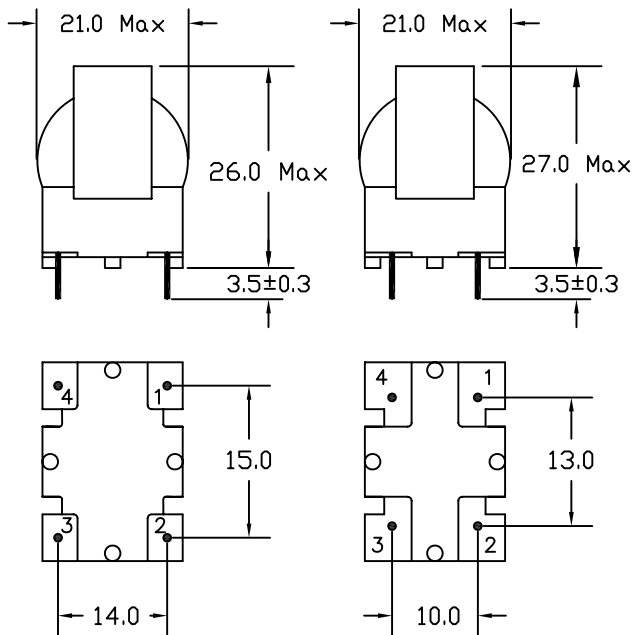


TOLERANCE

$0 < L < 2$	± 0.2
$2 < L < 12$	± 0.4
$12 < L < 48$	± 0.6
Pin Pitch	± 0.5
Pin Diameter	± 0.2

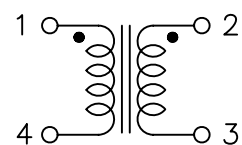
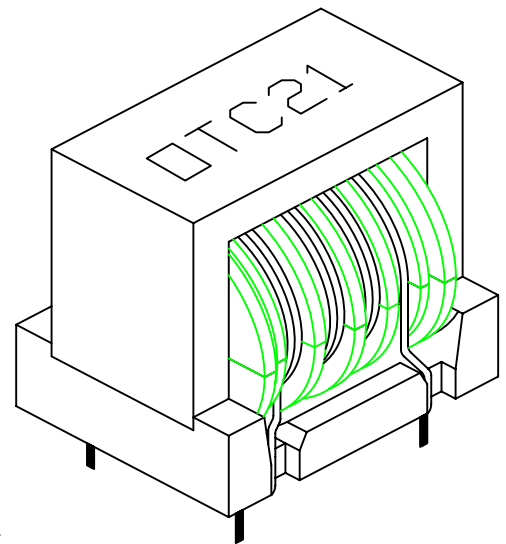


4 GROOVES BOBBIN



TOLERANCE

$0 < L < 2$	± 0.2
$2 < L < 12$	± 0.4
$12 < L < 48$	± 0.6
Pin Pitch	± 0.5
Pin Diameter	± 0.2



PAT. US 6,121,696 / J 3060520 / ZL 98 2 47924.9 / TW164060

昱京科技股份有限公司 YU JING TECHNOLOGY CO., LTD.

Tel: 02-2672-3910

昱京國際貿易有限公司 YU JING INTERNATIONAL CO., LTD.

Fax: 02-2672-4872

OTC-21 EMI FILTER

Optimum Toroid Chokes

A New Products
For Super Power

DIELECTRIC STRENGTH

TEST FREQUENCY: 20 KHz / 0.1 V

WITHSTANDING VOLTAGE: 1.5KVAC WIND TO CORE, LINE TO LINE

REFERENCE RATING (2 GROOVES BOBBIN)

	INDUCTANCE (L) mH Min.	D.C.R. mOHM Max.	RATE CURRENT Amp (ac) REF.	WIRE DIA. ϕ (mm)	REMARK
VOTC2110000150A	1.5	25	5.80	1.00	
VOTC2109000200A	2.0	30	4.70	0.90	
VOTC2108000400A	4.0	50	3.70	0.80	
VOTC2107000900A	9.0	100	2.80	0.70	
VOTC2106001400A	14.0	170	2.10	0.60	

** Special or Custom-made specification is available by request.

REFERENCE RATING (4 GROOVES BOBBIN)

	INDUCTANCE (L) mH Min.	D.C.R. mOHM Max.	RATE CURRENT Amp (ac) REF.	WIRE DIA. ϕ (mm)	REMARK
VOTC2107000400A	4.0	70	2.80	0.70	
VOTC2106500550A	5.5	90	2.40	0.65	
VOTC2106000700A	7.0	130	2.10	0.60	
VOTC2105501100A	11.0	180	1.70	0.55	
VOTC2105001500A	15.0	240	1.40	0.50	

** Special or Custom-made specification is available by request.



PAT. US 6,121,696 / J 3060520 / ZL 98 2 47924.9 / TW164060

昱京科技股份有限公司 YU JING TECHNOLOGY CO., LTD.

Tel: 02-2672-3910

昱京國際貿易有限公司 YU JING INTERNATIONAL CO., LTD.

Fax: 02-2672-4872

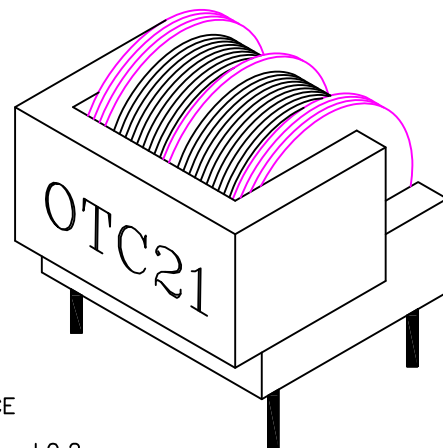
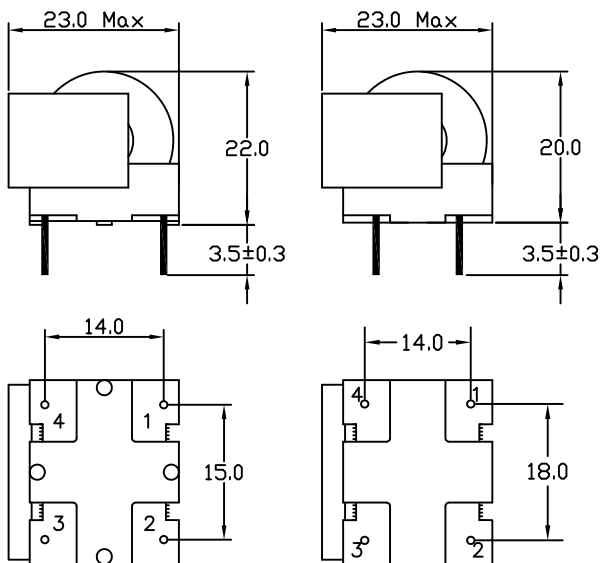
OTC-21 EMI FILTER

Optimum Toroid Chokes

A New Products
For Super Power

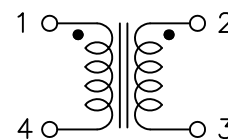
Mechanical Dimension (UNIT: mm)

2 GROOVES BOBBIN

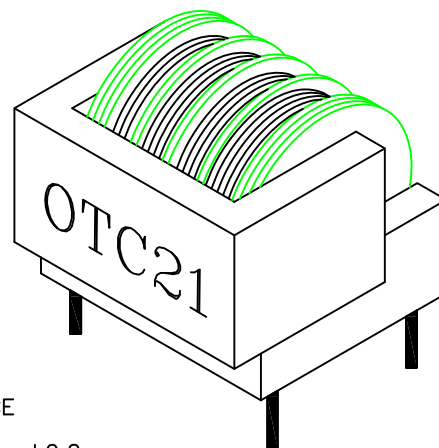
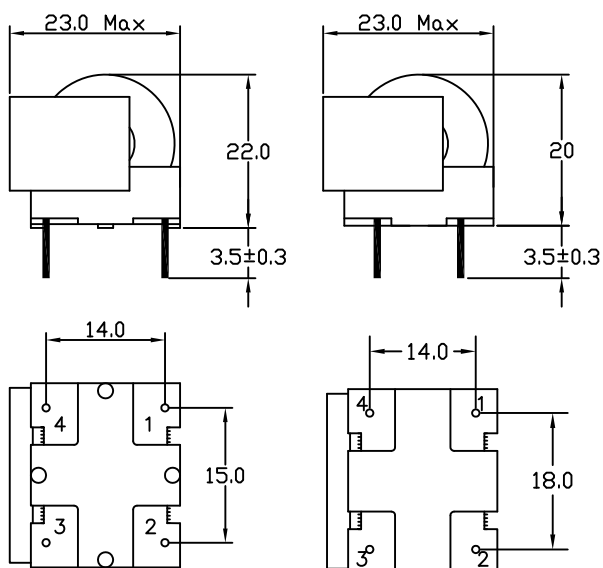


TOLERANCE

0 < L < 2	±0.2
2 < L < 12	±0.4
12 < L < 48	±0.6
Pin Pitch	±0.5
Pin Diameter	±0.2

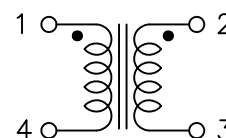


4 GROOVES BOBBIN



TOLERANCE

0 < L < 2	±0.2
2 < L < 12	±0.4
12 < L < 48	±0.6
Pin Pitch	±0.5
Pin Diameter	±0.2



PAT. US 6,121,696 / J 3060520 / ZL 98 2 47924.9 / TW164060

昱京科技股份有限公司 YU JING TECHNOLOGY CO., LTD.

Tel: 02-2672-3910

昱京國際貿易有限公司 YU JING INTERNATIONAL CO., LTD.

Fax: 02-2672-4872

OTC-21 EMI FILTER

Optimum Toroid Chokes

A New Products
For Super Power

DIELECTRIC STRENGTH

TEST FREQUENCY: 20 KHz / 0.1 V

WITHSTANDING VOLTAGE: 1.5KVAC WIND TO CORE, LINE TO LINE

REFERENCE RATING (2 GROOVES BOBBIN)

	INDUCTANCE (L) mH Min.	D.C.R. mOHM Max.	RATE CURRENT Amp (ac) REF.	WIRE DIA. ϕ (mm)	REMARK
HOTC2110000150A	1.5	25	5.80	1.00	
HOTC2109000200A	2.0	30	4.70	0.90	
HOTC2108000400A	4.0	50	3.70	0.80	
HOTC2107000900A	9.0	100	2.80	0.70	
HOTC2106001400A	14.0	170	2.10	0.60	

** Special or Custom-made specification is available by request.

REFERENCE RATING (4 GROOVES BOBBIN)

	INDUCTANCE (L) mH Min.	D.C.R. mOHM Max.	RATE CURRENT Amp (ac) REF.	WIRE DIA. ϕ (mm)	REMARK
HOTC2107000400A	4.0	70	2.80	0.70	
HOTC2106500550A	5.5	90	2.40	0.65	
HOTC2106000700A	7.0	130	2.10	0.60	
HOTC2105501100A	11.0	180	1.70	0.55	
HOTC2105001500A	15.0	240	1.40	0.50	

** Special or Custom-made specification is available by request.



PAT. US 6,121,696 / J 3060520 / ZL 98 2 47924.9 / TW164060

昱京科技股份有限公司 YU JING TECHNOLOGY CO., LTD.

Tel: 02-2672-3910

昱京國際貿易有限公司 YU JING INTERNATIONAL CO., LTD.

Fax: 02-2672-4872

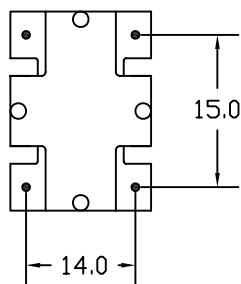
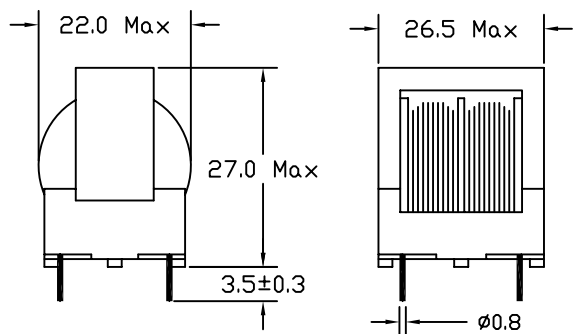
OTC-25 EMI FILTER

Optimum Toroid Chokes

A New Products
For Super Power

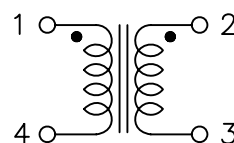
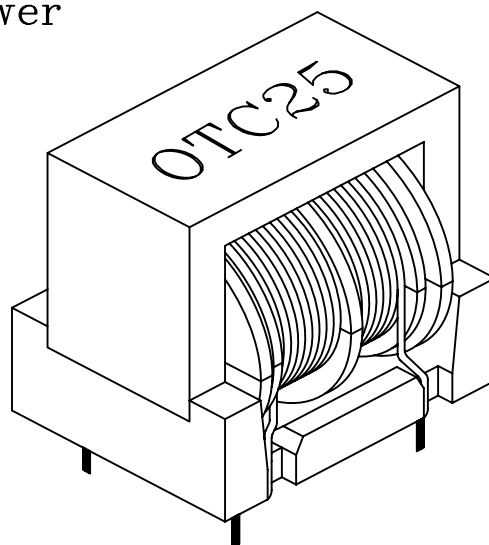
Mechanical Dimension (UNIT: mm)

2 GROOVES BOBBIN

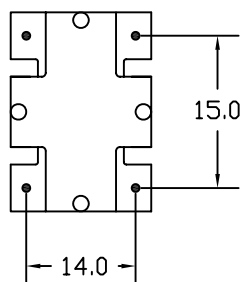
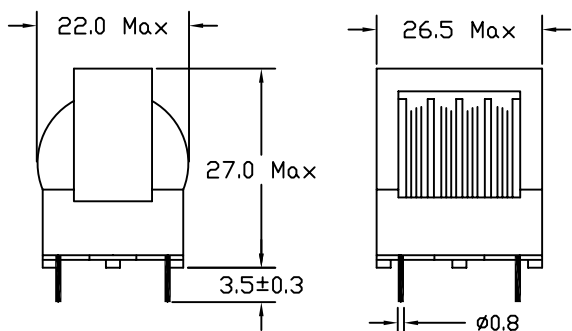


TOLERANCE .

$0 < L < 2$	± 0.2
$2 < L < 12$	± 0.4
$12 < L < 48$	± 0.6
Pin Pitch	± 0.5
Pin Diameter	± 0.2

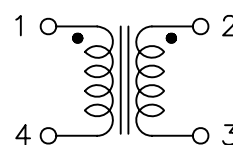
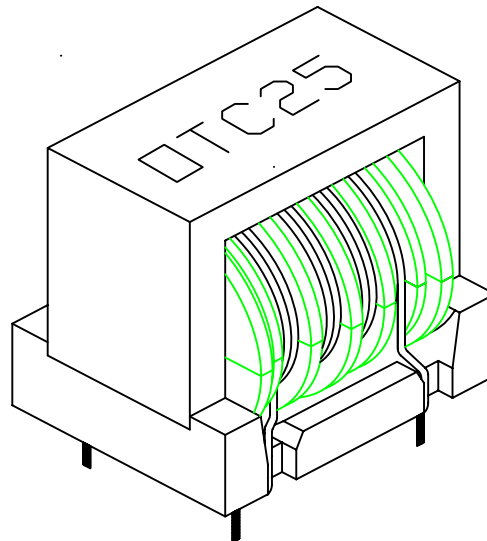


4 GROOVES BOBBIN



TOLERANCE .

$0 < L < 2$	± 0.2
$2 < L < 12$	± 0.4
$12 < L < 48$	± 0.6
Pin Pitch	± 0.5
Pin Diameter	± 0.2



YUJING

PAT. US 6,121,696 / J 3060520 / ZL 98 2 47924.9 / TW164060

昱京科技股份有限公司 YU JING TECHNOLOGY CO., LTD.

Tel: 02-2672-3910

昱京國際貿易有限公司 YU JING INTERNATIONAL CO., LTD.

Fax: 02-2672-4872

OTC-25 EMI FILTER

Optimum Toroid Chokes

A New Products
For Super Power

DIELECTRIC STRENGTH

TEST FREQUENCY: 20 KHz / 0.1 V

WITHSTANDING VOLTAGE: 1.5KVAC WIND TO CORE, LINE TO LINE

REFERENCE RATING (2 GROOVES BOBBIN)

	INDUCTANCE (L) mH Min.	D.C.R. mOHM Max.	RATE CURRENT Amp (ac) REF.	WIRE DIA. ϕ (mm)	REMARK
VOTC2510000300A	3.0	40	5.8	1.00	
VOTC2509000550A	5.5	60	4.7	0.90	
VOTC2508500650A	6.5	75	4.2	0.85	
VOTC2508000900A	9.0	100	3.7	0.80	
VOTC2507501100A	11.0	120	3.3	0.75	

** Special or Custom-made specification is available by request.

REFERENCE RATING (4 GROOVES BOBBIN)

	INDUCTANCE (L) mH Min.	D.C.R. mOHM Max.	RATE CURRENT Amp (ac) REF.	WIRE DIA. ϕ (mm)	REMARK
VOTC2508000400A	4.0	85	3.7	0.80	
VOTC2507500550A	5.5	100	3.3	0.75	
VOTC2507000700A	7.0	115	2.8	0.70	
VOTC2506501100A	11.0	140	2.4	0.65	
VOTC2506001500A	15.0	200	2.1	0.60	

** Special or Custom-made specification is available by request.



PAT. US 6,121,696 / J 3060520 / ZL 98 2 47924.9 / TW164060

昱京科技股份有限公司 YU JING TECHNOLOGY CO., LTD.

Tel: 02-2672-3910

昱京國際貿易有限公司 YU JING INTERNATIONAL CO., LTD.

Fax: 02-2672-4872

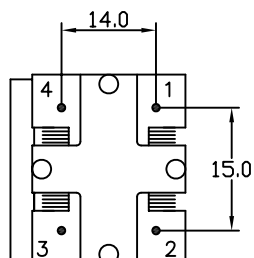
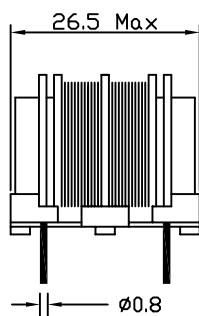
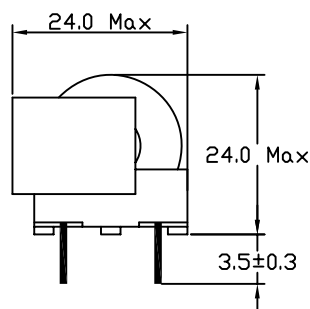
OTC-25 EMI FILTER

Optimum Toroid Chokes

A New Products
For Super Power

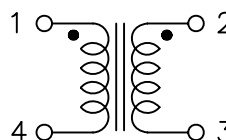
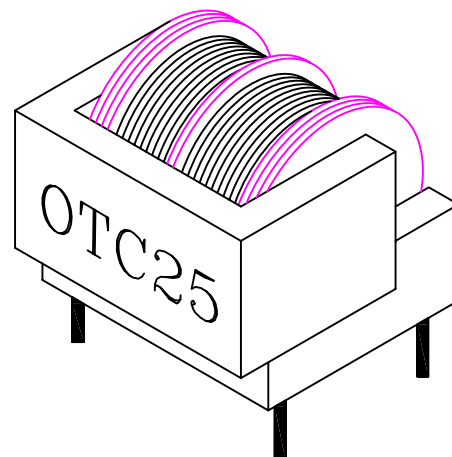
Mechanical Dimension (UNIT: mm)

2 GROOVES BOBBIN

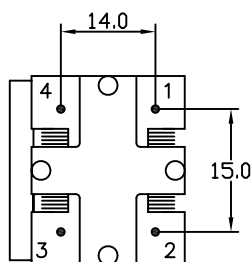
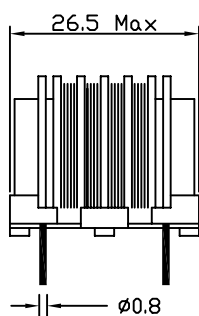
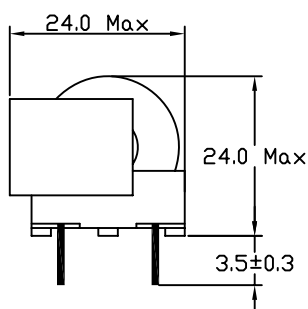


TOLERANCE .

$0 < L < 2$	± 0.2
$2 < L < 12$	± 0.4
$12 < L < 48$	± 0.6
Pin Pitch	± 0.5
Pin Diameter	± 0.2

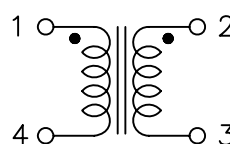
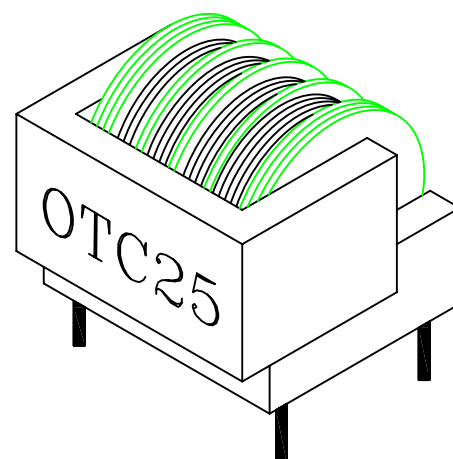


4 GROOVES BOBBIN



TOLERANCE .

$0 < L < 2$	± 0.2
$2 < L < 12$	± 0.4
$12 < L < 48$	± 0.6
Pin Pitch	± 0.5
Pin Diameter	± 0.2



YUJING

PAT. US 6,121,696 / J 3060520 / ZL 98 2 47924.9 / TW164060

昱京科技股份有限公司 YU JING TECHNOLOGY CO., LTD.

Tel: 02-2672-3910

昱京國際貿易有限公司 YU JING INTERNATIONAL CO., LTD.

Fax: 02-2672-4872

OTC-25 EMI FILTER

Optimum Toroid Chokes

A New Products
For Super Power

DIELECTRIC STRENGTH

TEST FREQUENCY: 20 KHz / 0.1 V

WITHSTANDING VOLTAGE: 1.5KVAC WIND TO CORE, LINE TO LINE

REFERENCE RATING (2 GROOVES BOBBIN)

	INDUCTANCE (L) mH Min.	D.C.R. mOHM Max.	RATE CURRENT Amp (ac) REF.	WIRE DIA. ϕ (mm)	REMARK
HOTC2510000300A	3.0	40	5.8	1.00	
HOTC2509000550A	5.5	60	4.7	0.90	
HOTC2508500650A	6.5	75	4.2	0.85	
HOTC2508000900A	9.0	100	3.7	0.80	
HOTC2507501100A	11.0	120	3.3	0.75	

** Special or Custom-made specification is available by request.

REFERENCE RATING (4 GROOVES BOBBIN)

	INDUCTANCE (L) mH Min.	D.C.R. mOHM Max.	RATE CURRENT Amp (ac) REF.	WIRE DIA. ϕ (mm)	REMARK
HOTC2508000400A	4.0	85	3.7	0.80	
HOTC2507500550A	5.5	100	3.3	0.75	
HOTC2507000700A	7.0	115	2.8	0.70	
HOTC2506501100A	11.0	140	2.4	0.65	
HOTC2506001500A	15.0	200	2.1	0.60	

** Special or Custom-made specification is available by request.



PAT. US 6,121,696 / J 3060520 / ZL 98 2 47924.9 / TW164060

昱京科技股份有限公司 YU JING TECHNOLOGY CO., LTD.

Tel: 02-2672-3910

昱京國際貿易有限公司 YU JING INTERNATIONAL CO., LTD.

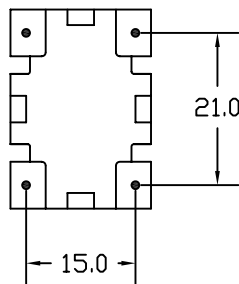
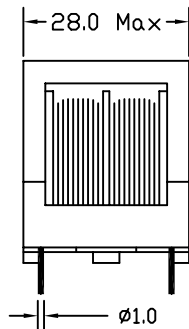
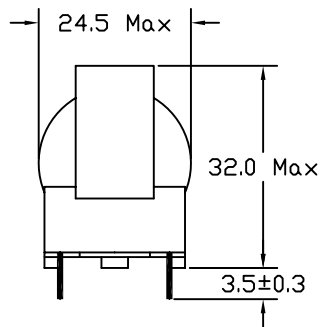
Fax: 02-2672-4872

OTC-27 EMI FILTER

Optimum Toroid Chokes

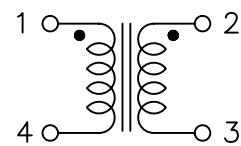
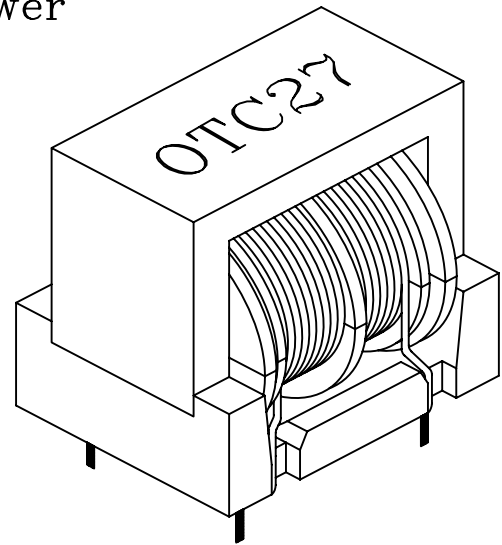
A New Products
For Super Power

Mechanical Dimension (UNIT: mm)



TOLERANCE .

$0 < L < 2$	± 0.2
$2 < L < 12$	± 0.4
$12 < L < 48$	± 0.6
Pin Pitch	± 0.5
Pin Diameter	± 0.2



YUJING

PAT. US 6,121,696 / J 3060520 / ZL 98 2 47924.9 / TW164060

昱京科技股份有限公司 YU JING TECHNOLOGY CO., LTD.

Tel: 02-2672-3910

昱京國際貿易有限公司 YU JING INTERNATIONAL CO., LTD.

Fax: 02-2672-4872

OTC-27 EMI FILTER

Optimum Toroid Chokes

A New Products
For Super Power

DIELECTRIC STRENGTH

TEST FREQUENCY: 20 KHz / 0.1 V

WITHSTANDING VOLTAGE: 1.5KVAC WIND TO CORE, LINE TO LINE

REFERENCE RATING (2 GROOVES BOBBIN)

	INDUCTANCE (L) mH Min.	D.C.R. mOHM Max.	RATE CURRENT Amp (ac) REF.	WIRE DIA. ϕ (mm)	REMARK
VOTC2711000350A	3.5	30	6.9	1.10	
VOTC2710000500A	5.0	40	5.8	1.00	
VOTC2709000900A	9.0	65	4.7	0.90	
VOTC2708001500A	15.0	110	3.7	0.80	
VOTC2707002500A	25.0	180	2.8	0.70	

** Special or Custom-made specification is available by request.



PAT. US 6,121,696 / J 3060520 / ZL 98 2 47924.9 / TW164060

昱京科技股份有限公司 YU JING TECHNOLOGY CO., LTD.

Tel: 02-2672-3910

昱京國際貿易有限公司 YU JING INTERNATIONAL CO., LTD.

Fax: 02-2672-4872

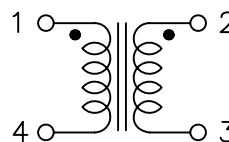
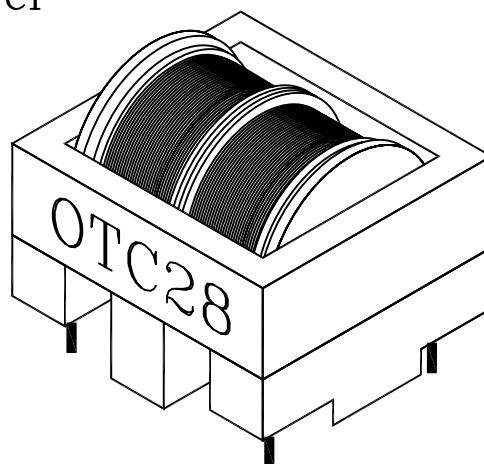
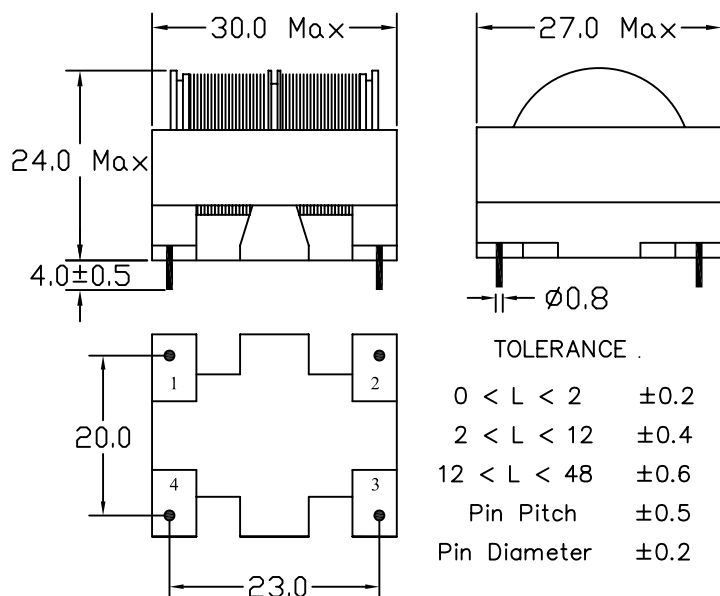
OTC-28 EMI FILTER

Optimum Toroid Chokes

A New Products
For Super Power

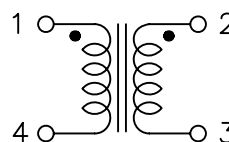
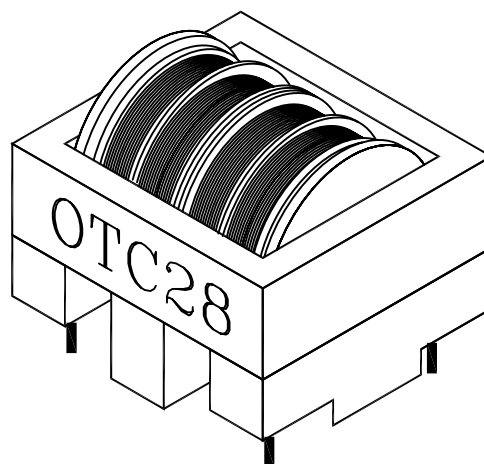
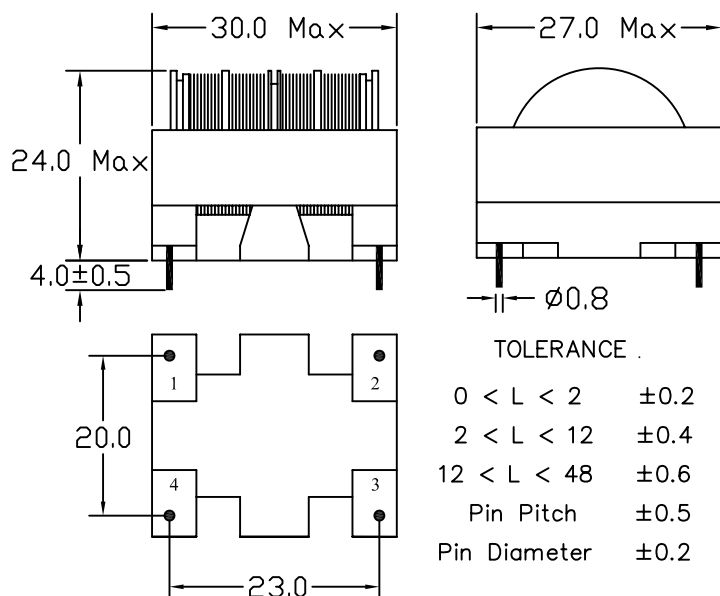
Mechanical Dimension (UNIT: mm)

2 GROOVES BOBBIN



Mechanical Dimension (UNIT: mm)

4 GROOVES BOBBIN



YUJING

PAT. US 6,121,696 / J 3060520 / ZL 98 2 47924.9 / TW164060

昱京科技股份有限公司 YU JING TECHNOLOGY CO., LTD.

Tel: 02-2672-3910

昱京國際貿易有限公司 YU JING INTERNATIONAL CO., LTD.

Fax: 02-2672-4872

OTC-28 EMI FILTER

Optimum Toroid Chokes

A New Products
For Super Power

DIELECTRIC STRENGTH

TEST FREQUENCY: 20 KHz / 0.1 V

WITHSTANDING VOLTAGE: 1.5KVAC WIND TO CORE, LINE TO LINE

REFERENCE RATING (2 GROOVES BOBBIN)

	INDUCTANCE (L) mH Min.	D.C.R. mOHM Max.	RATE CURRENT Amp (ac) REF.	WIRE DIA. ϕ (mm)	REMARK
HOTC2810000500A	5.0	40	5.8	1.00	
HOTC2809000900A	9.0	65	4.7	0.90	
HOTC2808001500A	15.0	90	3.7	0.80	
HOTC2807502000A	20.0	130	3.3	0.75	
HOTC2807002500A	25.0	160	2.8	0.70	

** Special or Custom-made specification is available by request.

REFERENCE RATING (4 GROOVES BOBBIN)

	INDUCTANCE (L) mH Min.	D.C.R. mOHM Max.	RATE CURRENT Amp (ac) REF.	WIRE DIA. ϕ (mm)	REMARK
HOTC2808500600A	6.0	55	4.2	0.85	
HOTC2808000900A	9.0	70	3.7	0.80	
HOTC2807501200A	12.0	90	3.3	0.75	
HOTC2807001500A	15.0	110	2.8	0.70	
HOTC2806501800A	18.0	160	2.4	0.65	

** Special or Custom-made specification is available by request.



PAT. US 6,121,696 / J 3060520 / ZL 98 2 47924.9 / TW164060

昱京科技股份有限公司 YU JING TECHNOLOGY CO., LTD.

Tel: 02-2672-3910

昱京國際貿易有限公司 YU JING INTERNATIONAL CO., LTD.

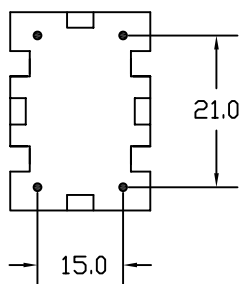
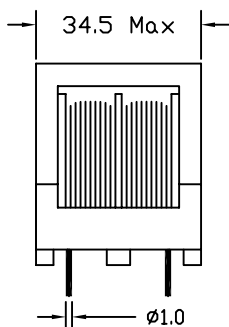
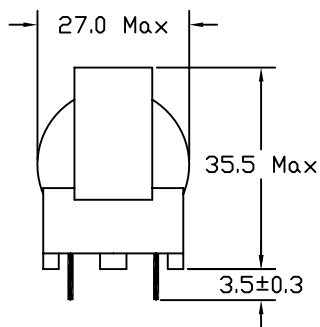
Fax: 02-2672-4872

OTC-33 EMI FILTER

Optimum Toroid Chokes

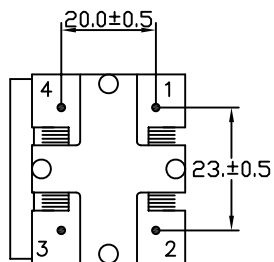
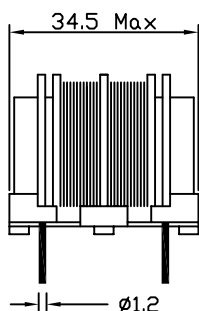
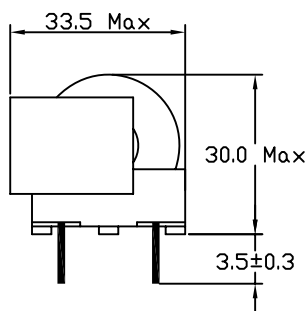
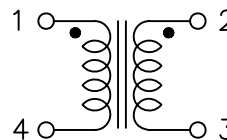
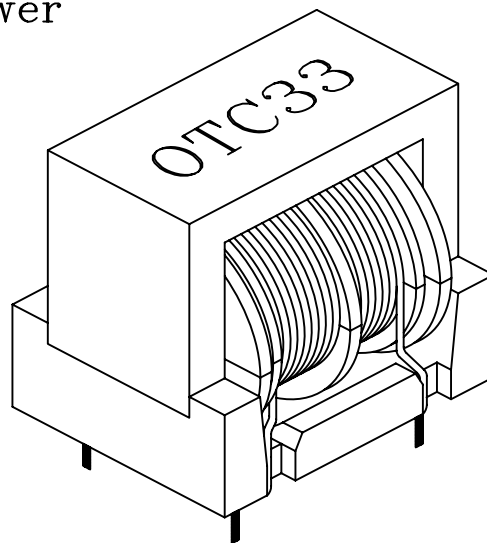
A New Products
For Super Power

Mechanical Dimension (UNIT: mm)



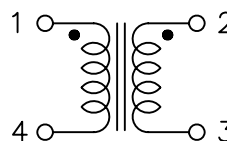
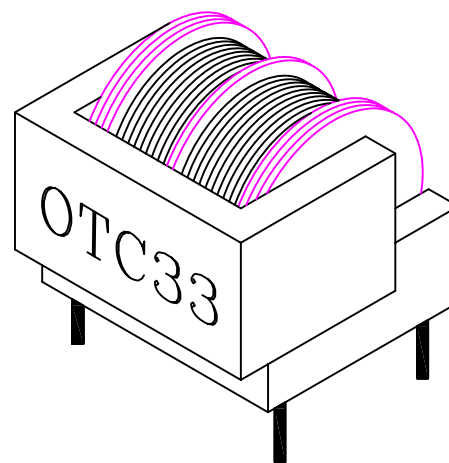
TOLERANCE .

- 0 < L < 2 ± 0.2
- 2 < L < 12 ± 0.4
- 12 < L < 48 ± 0.6
- Pin Pitch ± 0.5
- Pin Diameter ± 0.2



TOLERANCE .

- 0 < L < 2 ± 0.2
- 2 < L < 12 ± 0.4
- 12 < L < 48 ± 0.6
- Pin Pitch ± 0.5
- Pin Diameter ± 0.2



PAT. US 6,121,696 / J 3060520 / ZL 98 2 47924.9 / TW164060

昱京科技股份有限公司 YU JING TECHNOLOGY CO., LTD.

Tel: 02-2672-3910

昱京國際貿易有限公司 YU JING INTERNATIONAL CO., LTD.

Fax: 02-2672-4872

OTC-33 EMI FILTER

Optimum Toroid Chokes

A New Products
For Super Power

DIELECTRIC STRENGTH

TEST FREQUENCY: 20 KHz / 0.1 V

WITHSTANDING VOLTAGE: 1.5KVAC WIND TO CORE, LINE TO LINE

REFERENCE RATING (2 GROOVES BOBBIN)

	INDUCTANCE (L) mH Min.	D.C.R. mOHM Max.	RATE CURRENT Amp (ac) REF.	WIRE DIA. ϕ (mm)	REMARK
VOTC3312000700A	7.0	30	8.0	1.20	
VOTC3311001000A	10.0	40	6.9	1.10	
VOTC3310001300A	13.0	60	5.8	1.00	
VOTC3309501700A	17.0	70	5.2	0.95	
VOTC3309002500A	25.0	100	4.7	0.90	
VOTC3308004000A	40.0	150	3.7	0.80	

** Special or Custom-made specification is available by request.

REFERENCE RATING (2 GROOVES BOBBIN)

	INDUCTANCE (L) mH Min.	D.C.R. mOHM Max.	RATE CURRENT Amp (ac) REF.	WIRE DIA. ϕ (mm)	REMARK
HOTC3312000700A	7.0	30	8.0	1.20	
HOTC3311001000A	10.0	40	6.9	1.10	
HOTC3310001300A	13.0	60	5.8	1.00	
HOTC3309501700A	17.0	70	5.2	0.95	
HOTC3309002500A	25.0	100	4.7	0.90	
HOTC3308004000A	40.0	150	3.7	0.80	

** Special or Custom-made specification is available by request.



PAT. US 6,121,696 / J 3060520 / ZL 98 2 47924.9 / TW164060

昱京科技股份有限公司 YU JING TECHNOLOGY CO., LTD.

Tel: 02-2672-3910

昱京國際貿易有限公司 YU JING INTERNATIONAL CO., LTD.

Fax: 02-2672-4872