

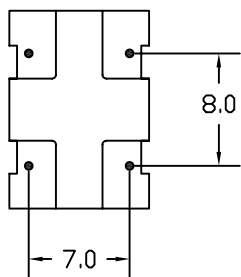
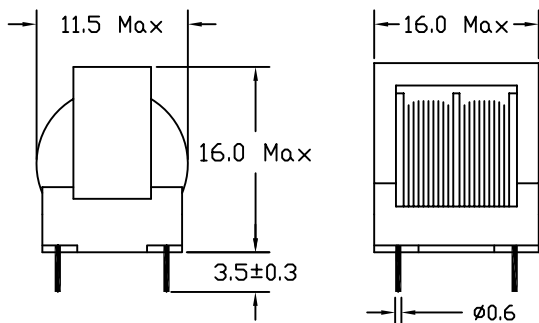
OTC-15 EMI FILTER

Optimum Toroid Chokes

A New Products
For Super Power

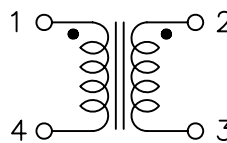
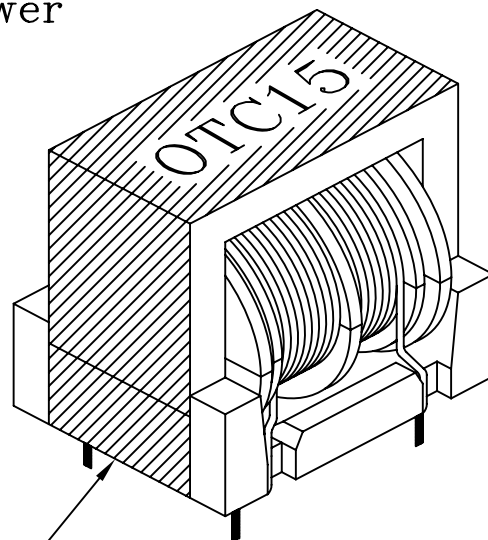
Mechanical Dimension (UNIT: mm)

2 GROOVES BOBBIN

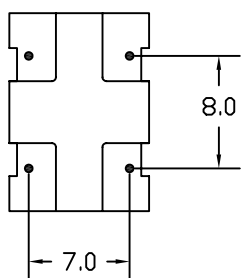
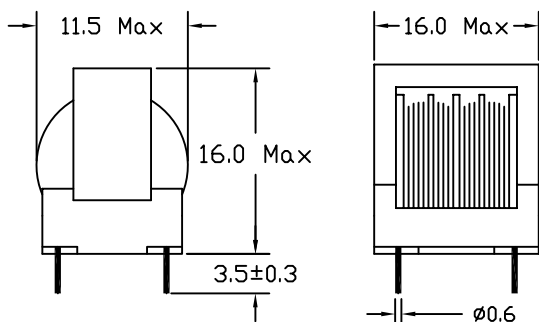


TOLERANCE

0 < L < 2	±0.2
2 < L < 12	±0.4
12 < L < 48	±0.6
Pin Pitch	±0.5
Pin Diameter	±0.2

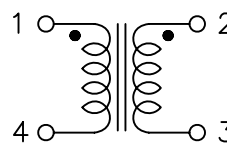
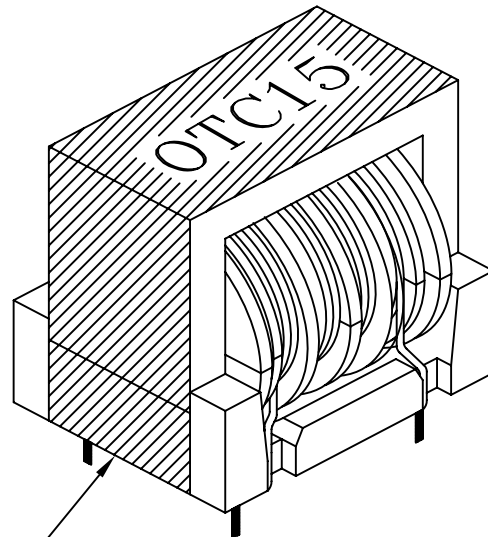


4 GROOVES BOBBIN



TOLERANCE

0 < L < 2	±0.2
2 < L < 12	±0.4
12 < L < 48	±0.6
Pin Pitch	±0.5
Pin Diameter	±0.2



PAT. US 6,121,696 / J 3060520 / ZL 98 2 47924.9 / TW164060

昱京科技股份有限公司 YU JING TECHNOLOGY CO., LTD.

Tel: 02-2672-3910

昱京國際貿易有限公司 YU JING INTERNATIONAL CO., LTD.

Fax: 02-2672-4872

OTC-15 EMI FILTER

Optimum Toroid Chokes

A New Products
For Super Power

DIELECTRIC STRENGTH

TEST FREQUENCY: 20 KHz / 0.1 V

WITHSTANDING VOLTAGE: 1.5KVAC WIND TO CORE, LINE TO LINE

REFERENCE RATING (2 GROOVES BOBBIN)

	INDUCTANCE (L) mH Min.	D.C.R. mOHM Max.	RATE CURRENT Amp (ac) REF.	WIRE DIA. ϕ (mm)	REMARK
VOTC1504000450A	4.5	130	0.90	0.40	
VOTC1503700700A	7.0	200	0.80	0.37	
VOTC1503500900A	9.0	250	0.70	0.35	
VOTC1503201100A	11.0	350	0.60	0.32	
VOTC1503001400A	14.0	430	0.50	0.30	
VOTC1502801800A	18.0	540	0.45	0.28	
VOTC1502503000A	30.0	900	0.36	0.25	

** Special or Custom-made specification is available by request.

REFERENCE RATING (4 GROOVES BOBBIN)

	INDUCTANCE (L) mH Min.	D.C.R. mOHM Max.	RATE CURRENT Amp (ac) REF.	WIRE DIA. ϕ (mm)	REMARK
VOTC1503000700A	7.0	350	0.50	0.30	
VOTC1502800900A	9.0	450	0.45	0.28	
VOTC1502501200A	12.0	600	0.36	0.25	
VOTC1502302400A	24.0	900	0.30	0.23	
VOTC1502004000A	40.0	1500	0.23	0.20	
VOTC1501806000A	60.0	2500	0.15	0.18	

** Special or Custom-made specification is available by request.



PAT. US 6,121,696 / J 3060520 / ZL 98 2 47924.9 / TW164060

昱京科技股份有限公司 YU JING TECHNOLOGY CO., LTD.

Tel: 02-2672-3910

昱京國際貿易有限公司 YU JING INTERNATIONAL CO., LTD.

Fax: 02-2672-4872

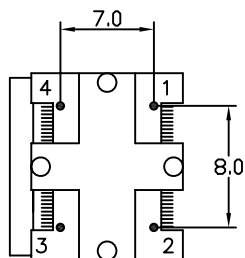
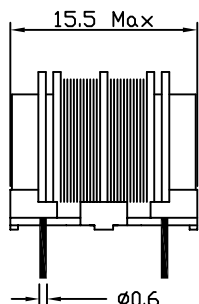
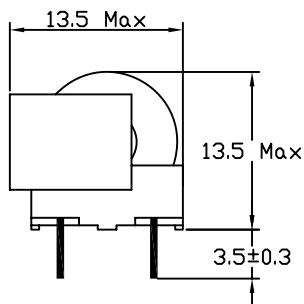
OTC-15 EMI FILTER

Optimum Toroid Chokes

A New Products
For Super Power

Mechanical Dimension (UNIT: mm)

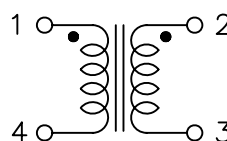
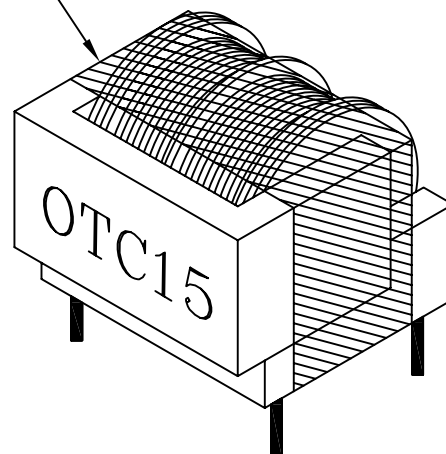
2 GROOVES BOBBIN



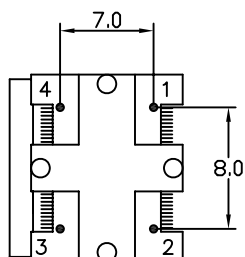
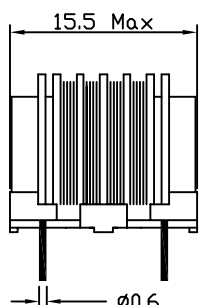
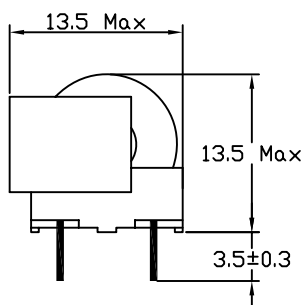
TOLERANCE

$0 < L < 2$	± 0.2
$2 < L < 12$	± 0.4
$12 < L < 48$	± 0.6
Pin Pitch	± 0.5
Pin Diameter	± 0.2

Mylar Tape 2 Layer



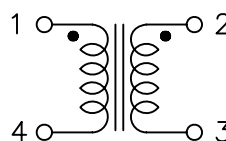
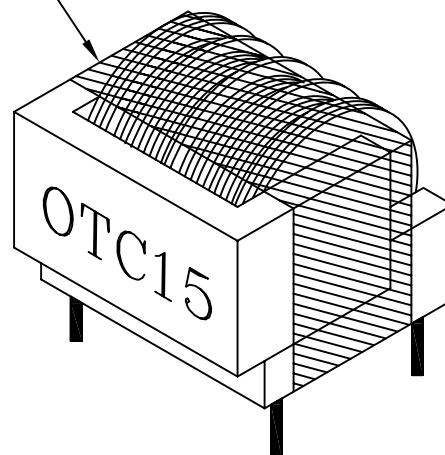
4 GROOVES BOBBIN



TOLERANCE

$0 < L < 2$	± 0.2
$2 < L < 12$	± 0.4
$12 < L < 48$	± 0.6
Pin Pitch	± 0.5
Pin Diameter	± 0.2

Mylar Tape 2 Layer



PAT. US 6,121,696 / J 3060520 / ZL 98 2 47924.9 / TW164060

昱京科技股份有限公司 YU JING TECHNOLOGY CO., LTD.

Tel: 02-2672-3910

昱京國際貿易有限公司 YU JING INTERNATIONAL CO., LTD.

Fax: 02-2672-4872

OTC-15 EMI FILTER

Optimum Toroid Chokes

A New Products
For Super Power

DIELECTRIC STRENGTH

TEST FREQUENCY: 20 KHz / 0.1 V

WITHSTANDING VOLTAGE: 1.5KVAC WIND TO CORE, LINE TO LINE

REFERENCE RATING (2 GROOVES BOBBIN)

	INDUCTANCE (L) mH Min.	D.C.R. mOHM Max.	RATE CURRENT Amp (ac) REF.	WIRE DIA. ϕ (mm)	REMARK
HOTC1504000450A	4.5	130	0.90	0.40	
HOTC1503700700A	7.0	200	0.80	0.37	
HOTC1503500900A	9.0	250	0.70	0.35	
HOTC1503201100A	11.0	350	0.60	0.32	
HOTC1503001400A	14.0	430	0.50	0.30	
HOTC1502801800A	18.0	540	0.45	0.28	
HOTC1502503000A	30.0	900	0.36	0.25	

** Special or Custom-made specification is available by request.

REFERENCE RATING (4 GROOVES BOBBIN)

	INDUCTANCE (L) mH Min.	D.C.R. mOHM Max.	RATE CURRENT Amp (ac) REF.	WIRE DIA. ϕ (mm)	REMARK
HOTC1503000700A	7.0	350	0.50	0.30	
HOTC1502800900A	9.0	450	0.45	0.28	
HOTC1502501200A	12.0	600	0.36	0.25	
HOTC1502302400A	24.0	900	0.30	0.23	
HOTC1502004000A	40.0	1500	0.23	0.20	
HOTC1501806000A	60.0	2500	0.15	0.18	

** Special or Custom-made specification is available by request.



PAT. US 6,121,696 / J 3060520 / ZL 98 2 47924.9 / TW164060

昱京科技股份有限公司 YU JING TECHNOLOGY CO., LTD.

Tel: 02-2672-3910

昱京國際貿易有限公司 YU JING INTERNATIONAL CO., LTD.

Fax: 02-2672-4872