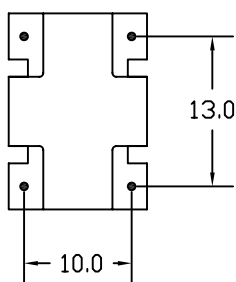
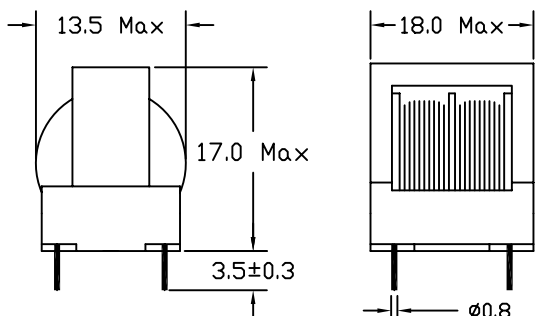


OTC-17 EMI FILTER

Optimum Toroid Chokes

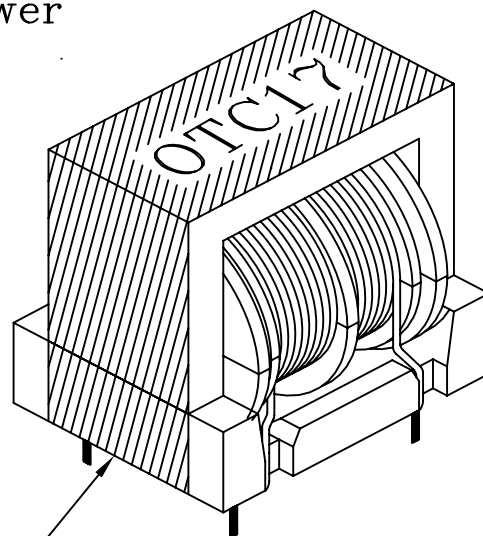
A New Products
For Super Power

Mechanical Dimension (UNIT: mm) 2 GROOVES BOBBIN

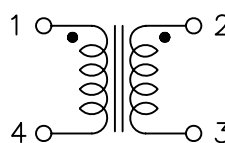


TOLERANCE

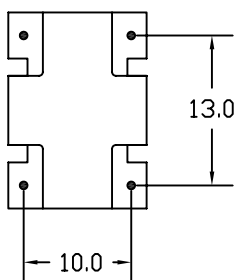
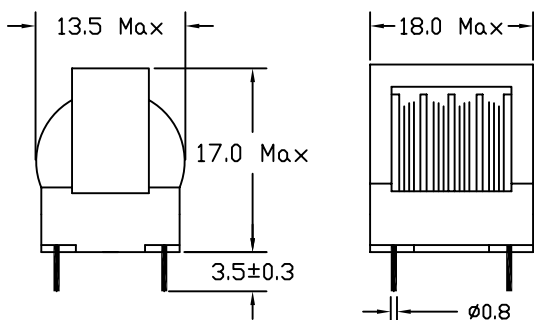
0 < L < 2	±0.2
2 < L < 12	±0.4
12 < L < 48	±0.6
Pin Pitch	±0.5
Pin Diameter	±0.2



Mylar Tape 2 Layer

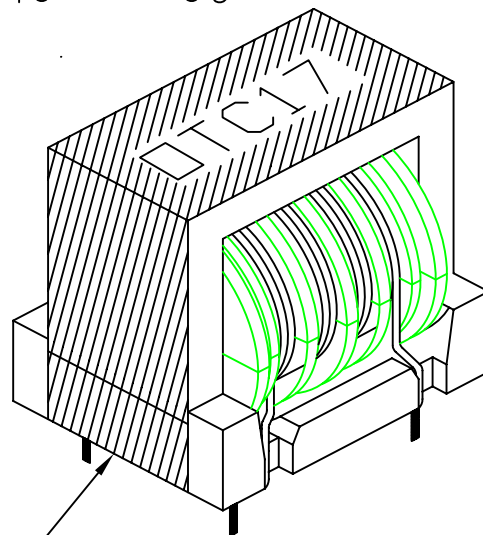


4 GROOVES BOBBIN

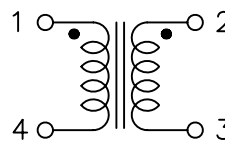


TOLERANCE

0 < L < 2	±0.2
2 < L < 12	±0.4
12 < L < 48	±0.6
Pin Pitch	±0.5
Pin Diameter	±0.2



Mylar Tape 2 Layer



PAT. US 6,121,696 / J 3060520 / ZL 98 2 47924.9 / TW164060

昱京科技股份有限公司 YU JING TECHNOLOGY CO., LTD.

Tel: 02-2672-3910

昱京國際貿易有限公司 YU JING INTERNATIONAL CO., LTD.

Fax: 02-2672-4872

OTC-17 EMI FILTER

Optimum Toroid Chokes

A New Products
For Super Power

DIELECTRIC STRENGTH

WITHSTANDING VOLTAGE: 1.5KVAC WIND TO CORE, LINE TO LINE
INSULATION RESISTANCE: 100M Ohm /DC 500V

REFERENCE RATING (2 GROOVES BOBBIN)

	INDUCTANCE (L) mH Min.	D.C.R. mOHM Max.	RATE CURRENT Amp (ac) REF.	WIRE DIA. ϕ (mm)	REMARK
VOTC1704000600A	6.0	180	0.90	0.40	
VOTC1703701000A	10.0	250	0.80	0.37	
VOTC1703501300A	13.0	350	0.70	0.35	
VOTC1703201800A	18.0	480	0.60	0.32	
VOTC1703002500A	25.0	650	0.50	0.30	
VOTC1702803200A	32.0	850	0.45	0.28	
VOTC1702504000A	40.0	1300	0.36	0.25	

** Special or Custom-made specification is available by request.

REFERENCE RATING (4 GROOVES BOBBIN)

	INDUCTANCE (L) mH Min.	D.C.R. mOHM Max.	RATE CURRENT Amp (ac) REF.	WIRE DIA. ϕ (mm)	REMARK
VOTC1703200800A	8.0	360	0.60	0.32	
VOTC1703001100A	11.0	450	0.50	0.30	
VOTC1702801500A	15.0	600	0.45	0.28	
VOTC1702502500A	25.0	950	0.36	0.25	
VOTC1702303500A	35.0	1400	0.30	0.23	
VOTC1702005000A	50.0	2300	0.23	0.20	

** Special or Custom-made specification is available by request.



PAT. US 6,121,696 / J 3060520 / ZL 98 2 47924.9 / TW164060

昱京科技股份有限公司 YU JING TECHNOLOGY CO., LTD.

Tel: 02-2672-3910

昱京國際貿易有限公司 YU JING INTERNATIONAL CO., LTD.

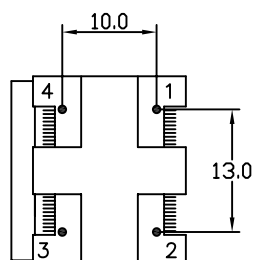
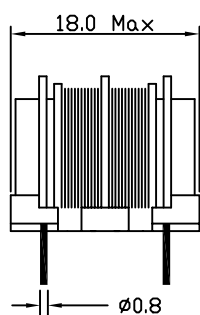
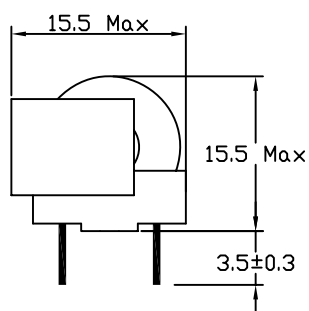
Fax: 02-2672-4872

OTC-17 EMI FILTER

Optimum Toroid Chokes

A New Products
For Super Power

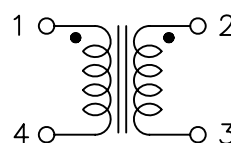
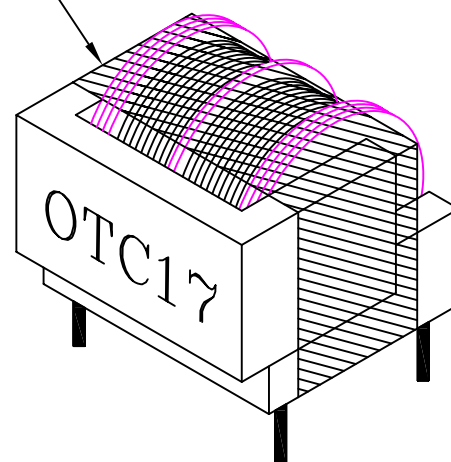
Mechanical Dimension (UNIT: mm) 2 GROOVES BOBBIN



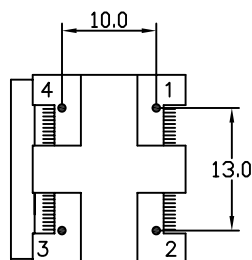
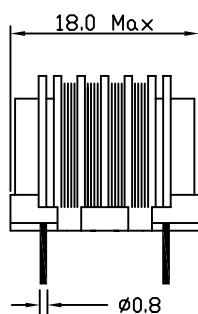
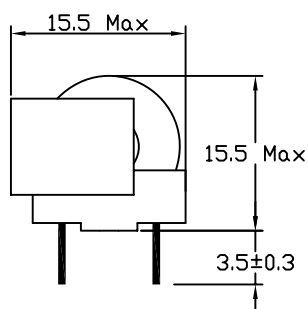
TOLERANCE

$0 < L < 2$	± 0.2
$2 < L < 12$	± 0.4
$12 < L < 48$	± 0.6
Pin Pitch	± 0.5
Pin Diameter	± 0.2

Mylar Tape 2 Layer



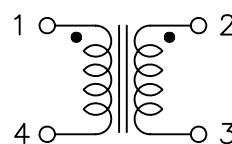
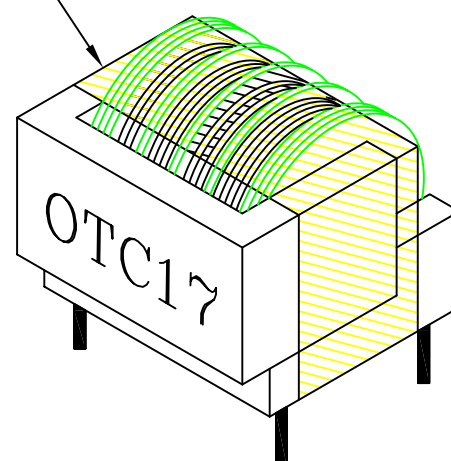
4 GROOVES BOBBIN



TOLERANCE

$0 < L < 2$	± 0.2
$2 < L < 12$	± 0.4
$12 < L < 48$	± 0.6
Pin Pitch	± 0.5
Pin Diameter	± 0.2

Mylar Tape 2 Layer



YUJING

PAT. US 6,121,696 / J 3060520 / ZL 98 2 47924.9 / TW164060

昱京科技股份有限公司 YU JING TECHNOLOGY CO., LTD.

Tel: 02-2672-3910

昱京國際貿易有限公司 YU JING INTERNATIONAL CO., LTD.

Fax: 02-2672-4872

OTC-17 EMI FILTER

Optimum Toroid Chokes

A New Products
For Super Power

DIELECTRIC STRENGTH

WITHSTANDING VOLTAGE: 1.5KVAC WIND TO CORE, LINE TO LINE

INSULATION RESISTANCE: 100M Ohm /DC 500V

REFERENCE RATING (2 GROOVES BOBBIN)

	INDUCTANCE (L) mH Min.	D.C.R. mOHM Max.	RATE CURRENT Amp (ac) REF.	WIRE DIA. ϕ (mm)	REMARK
HOTC1704000600A	6.0	180	0.90	0.40	
HOTC1703701000A	10.0	250	0.80	0.37	
HOTC1703501300A	13.0	350	0.70	0.35	
HOTC1703201800A	18.0	480	0.60	0.32	
HOTC1703002500A	25.0	650	0.50	0.30	
HOTC1702803200A	32.0	850	0.45	0.28	
HOTC1702504000A	40.0	1300	0.36	0.25	

** Special or Custom-made specification is available by request.

REFERENCE RATING (4 GROOVES BOBBIN)

	INDUCTANCE (L) mH Min.	D.C.R. mOHM Max.	RATE CURRENT Amp (ac) REF.	WIRE DIA. ϕ (mm)	REMARK
HOTC1703200800A	8.0	360	0.60	0.32	
HOTC1703001100A	11.0	450	0.50	0.30	
HOTC1702801500A	15.0	600	0.45	0.28	
HOTC1702502500A	25.0	950	0.36	0.25	
HOTC1702303500A	35.0	1400	0.30	0.23	
HOTC1702005000A	50.0	2300	0.23	0.20	

** Special or Custom-made specification is available by request.



PAT. US 6,121,696 / J 3060520 / ZL 98 2 47924.9 / TW164060

昱京科技股份有限公司 YU JING TECHNOLOGY CO., LTD.

Tel: 02-2672-3910

昱京國際貿易有限公司 YU JING INTERNATIONAL CO., LTD.

Fax: 02-2672-4872